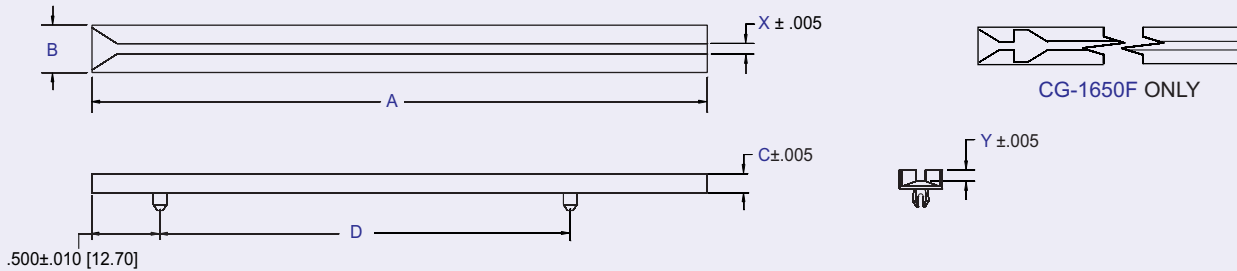


F SERIES CARD GUIDES



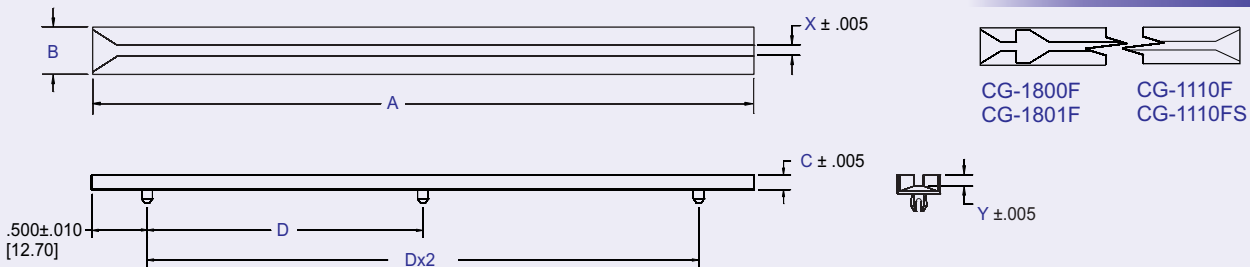
F series card guides are intended to snap into their support structure and are suitable for mounting in sheet metal or on to extrusions having a grip range of .050" to .090". This guide series is available in a range of lengths from 2 1/2" to 16".

2 SNAP GUIDES



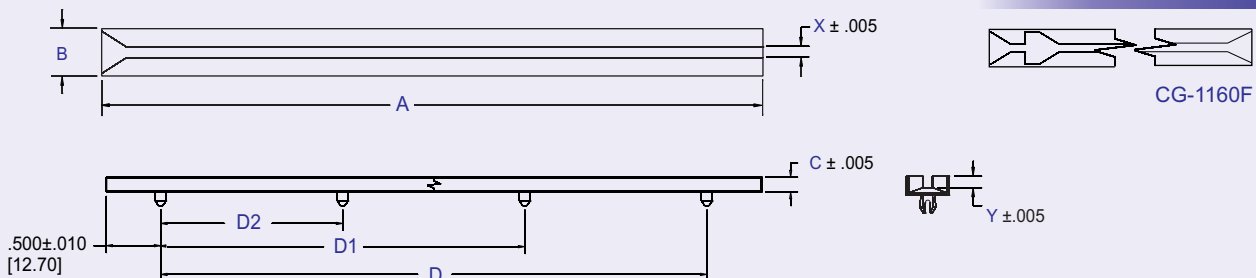
PART NUMBER	A	B	C	D	X	Y
CG-1250F	2.500 [63.50]	.312 [7.92]	.125 [3.18]	1.500 [38.10]	.070 [1.78]	.075 [1.905]
CG-1450F	4.500 [114.30]	.312 [7.92]	.125 [3.18]	3.000 [76.20]	.070 [1.78]	.075 [1.905]
CG-1451F	4.500 [114.30]	.318 [8.08]	.125 [3.18]	3.000 [76.20]	.140 [3.56]	.075 [1.905]
CG-1600F	6.000 [152.40]	.312 [7.92]	.125 [3.18]	5.000 [127.00]	.077 [1.96]	.075 [1.905]
CG-1650F	6.500 [165.10]	.312 [7.92]	.125 [3.18]	5.020 [127.51]	.077 [1.96]	.075 [1.905]
CG-1650FDT	6.500 [165.10]	.312 [7.92]	.200 [5.08]	5.000 [127.00]	.077 [1.96]	.150 [3.810]

3 SNAP GUIDES



PART NUMBER	A	B	C	D	Dx2	X	Y
CG-1800F	8.000 [203.20]	.312 [7.92]	.125 [3.18]	7.000 [177.8]	3.500 [88.90]	.076 [1.93]	.075 [1.91]
CG-1801F	8.000 [203.20]	.312 [7.92]	.175 [4.45]	7.000 [177.8]	3.500 [88.90]	.074 [1.88]	.125 [3.18]
CG-1110F	11.000 [279.40]	.312 [7.92]	.200 [5.08]	10.000 [254.00]	5.000 [127.00]	.077 [1.96]	.150 [3.81]
CG-1110FS	11.000 [279.40]	.312 [7.92]	.150 [3.81]	10.000 [254.00]	5.000 [127.00]	.077 [1.96]	.100 [2.54]

4 SNAP GUIDES

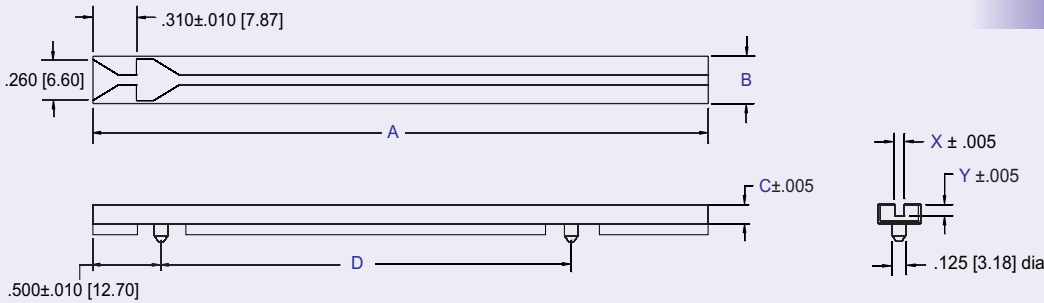


PART NUMBER	A	B	C	D	D1	D2	X	Y
CG-1962F	9.620 [244.30]	.270 [6.86]	.200 [5.08]	8.160 [207.26]	5.147 [130.73]	3.010 [76.40]	.077 [1.96]	.150 [3.81]
CG-1160F	16.00 [406.40]	.312 [7.92]	.200 [5.08]	15.00 [381.00]	10.00 [254.00]	5.00 [127.00]	.077 [1.96]	.150 [3.81]

LOCKING TAB CARD GUIDES

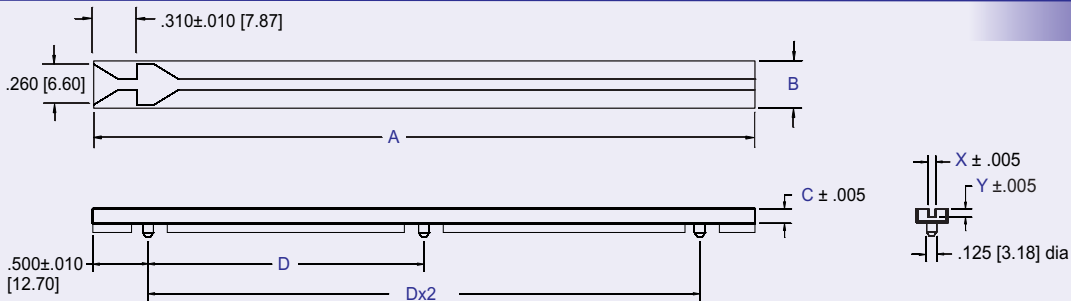


2 TAB GUIDES



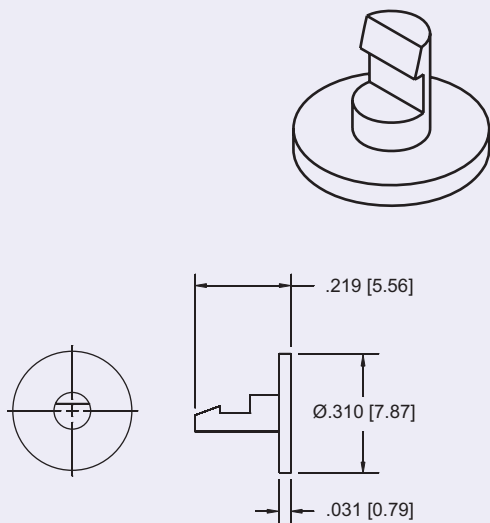
PART NUMBER	A	B	C	D	X	Y
CG-1250	2.500 [63.50]	.312 [7.92]	.125 [3.18]	1.500 [38.10]	.070 [1.78]	.075 [1.91]
CG-1450	4.500 [114.30]	.312 [7.92]	.125 [3.18]	3.000 [76.20]	.075 [1.96]	.075 [1.91]
CG-1650	6.000 [152.40]	.312 [7.92]	.125 [3.18]	5.000 [127.00]	.075 [1.96]	.075 [1.91]
CG-1651	6.500 [165.10]	.365 [9.27]	.125 [3.18]	5.000 [127.00]	.100 [2.54]	.072 [1.83]

3 TAB GUIDES



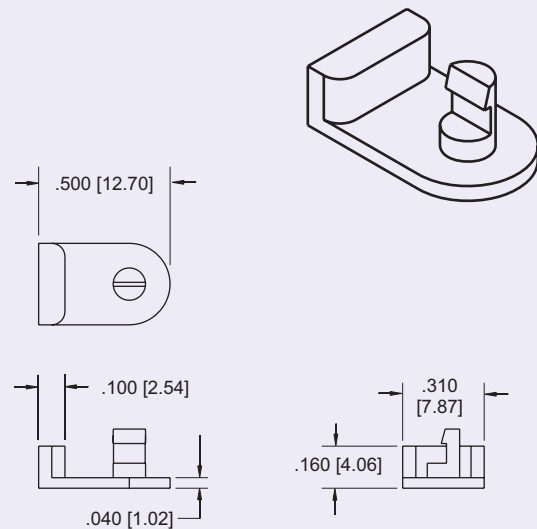
PART NUMBER	A	B	C	D	Dx2	X	Y
CG-1900	9.050 [229.87]	.312 [7.92]	.144 [3.66]	3.770 [95.76]	7.540 [191.52]	.080 [2.03]	.104 [2.64]
CG-1125	12.000 [318.26]	.343 [8.71]	.144 [3.66]	5.796 [147.22]	11.59 [294.44]	.083 [2.11]	.104 [3.18]

LOCKING TAB



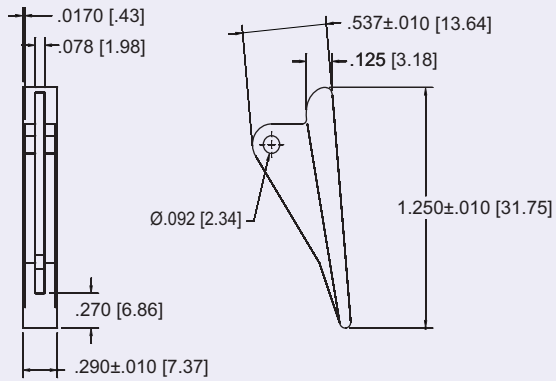
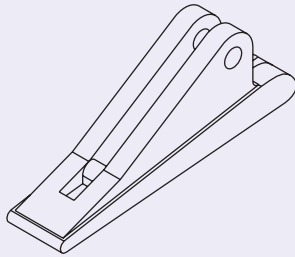
PART NUMBER: **CG-3000**

IDENTIFICATION TAB



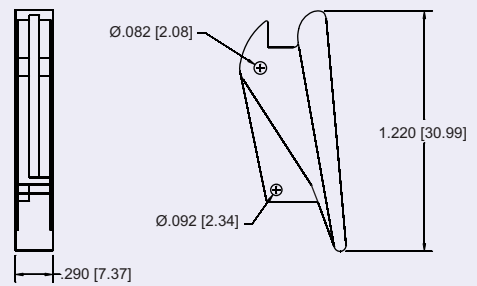
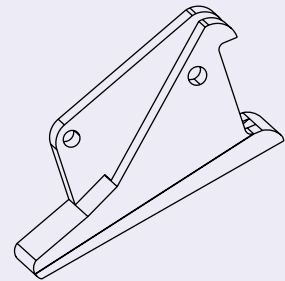
PART NUMBER: **CG-3100**

EJECTOR



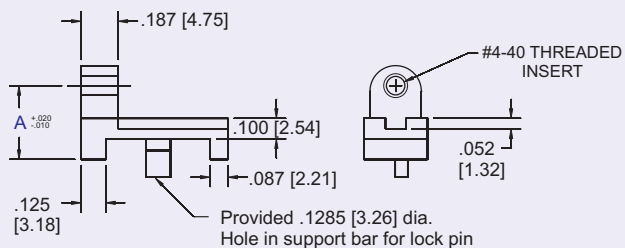
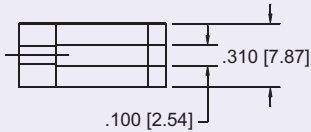
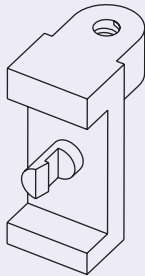
PART NUMBER: CG-6100

LOCKING EJECTOR



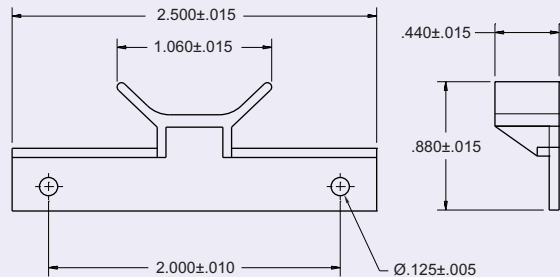
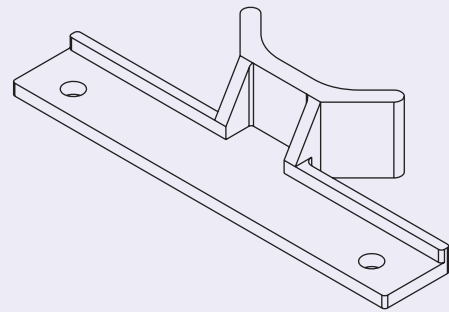
PART NUMBER: CG-6061

CONNECTOR FEET



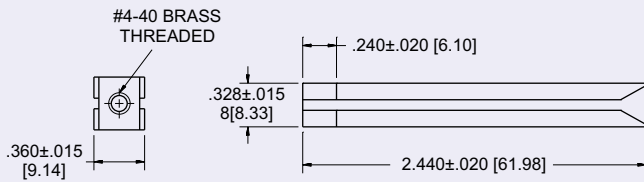
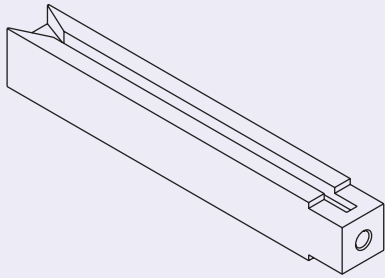
PART NUMBER	A
CG-2359	.359 [9.12]
CG-2422	.422 [10.72]

PULLER

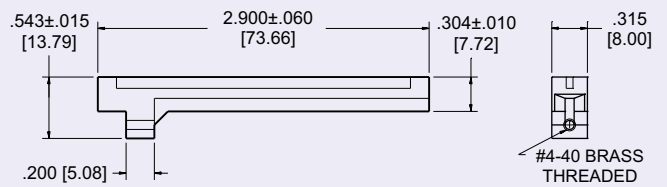
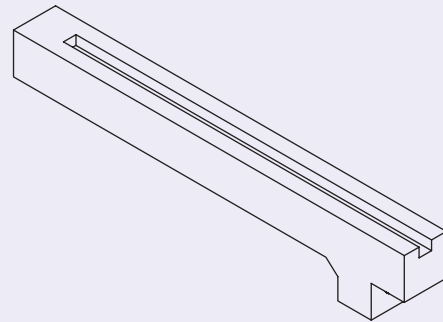


PART NUMBER: CG-6200

VERTICAL CARD GUIDES



PART NUMBER: **CG-1250V**



PART NUMBER: **CG-1289V**