

2.0 mm HM Type L Right Angle Female



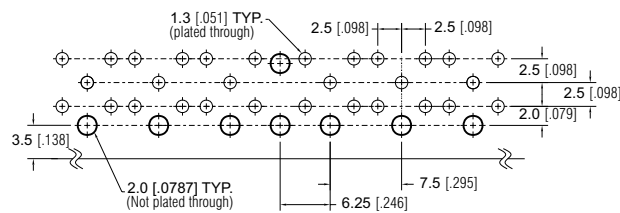
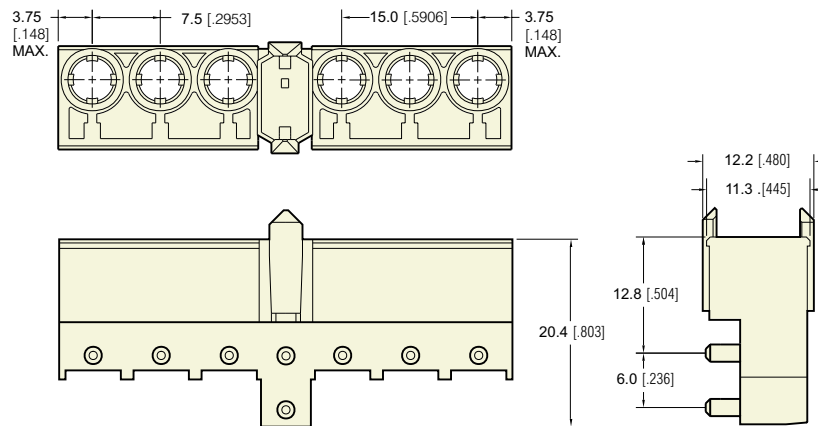
The **E-Z met™** type L daughtercard connector provides six special cavities designed for use with power or coaxial contacts. This connector also features a multifunction cavity for coding and pre alignment guides to prevent improper mating. The Type L connector can be used by itself or in combination with any Type A, B, C, M or N **E-Z met™** connector. For Coaxial, High Power, and High Current Contacts, Please click link below.

SPECIFICATION

1. Insulator Material: PBT 30% Glass filled UL 94 V-O
2. IEC 61076-4-101 Standard

Coaxial, High Power, and High Current Contacts

P/N 71-L6-00-1



PC BOARD LAYOUT

