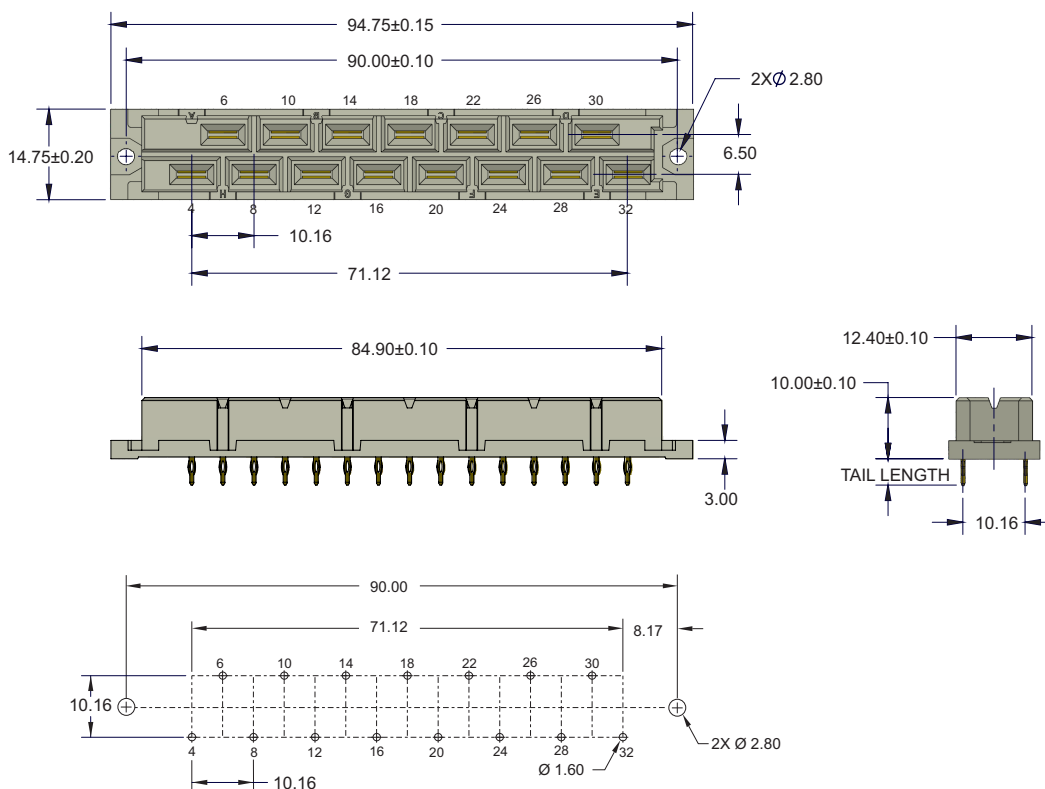


Specifications

1. Insulator Material: Thermoplastic, 94 V-O, UL Rated, color natural
2. Contact Material: Copper Alloy
3. Contact Plating: see part number system below
4. Current Rating: Ambient temp.= 20°C @ 15A, 70°C @ 11A, 100°C @ 7.5A
5. Contact Resistance: < 8 mΩ
6. Insulation Resistance: > 10⁶ MΩ
7. Dielectric Strength: 3100V rms
8. Operating Temperature: -55°C to +125°C
9. IEC 60603-2 Connector



Recommended P. C. Board Layout

PART NUMBERING

5H — 151 — XXX

TOTAL CONTACT

5 = 15

TAIL LENGTH

- 1 = 4.30 (0.6 X 0.6 post) Solder
- 2 = 4.30 (1.2 X 0.6 post) Solder
- 3 = 6.00 (0.6 X 0.6 post) Press-Fit

TAIL PLATING

- 1 = Tin
- 2 = Gold flash
- 3 = Gold plate 30μ"
- 4 = Gold plate 15μ"

MATING AREA PLATING

- 1 = Class 1
- 2 = Class 2
- 3 = Class 3