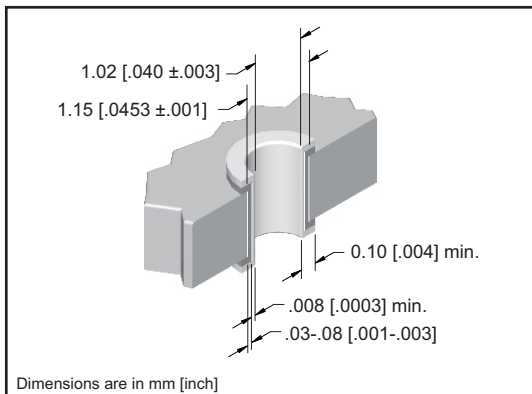


Type R, R/2, Extended Right Angle Female DIN

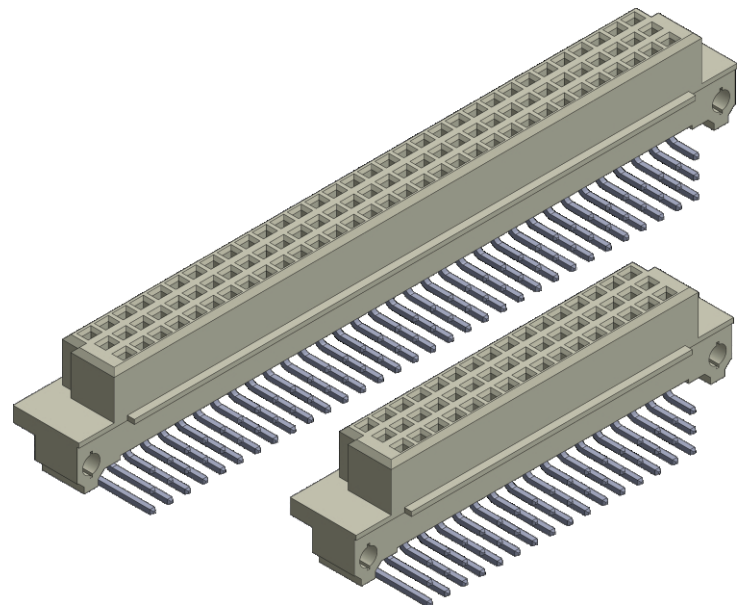


DIN 41612 SPECIFICATION

Temperature Range	-55°C to +125°C		
Insulator Material	PBT 30% Glass Filled UL 94 V-0 Rated		
Contact Material:	Copper Alloy		
Contact Plating / Performance	Level 1	≥ 500 Mating Cycles	
	Level 2	≥ 400 Mating Cycles	
Per DIN 41612	Level 3	≥ 50 Mating Cycles	
Contact Resistance	≤ 20m Ω		
Insulation Resistance	≥ 10 ¹² m Ω at 100 VDC		
Dielectric Strength	≤ 1000 VDC		
Current Range at Ambient Temp. Of	+20C	3.0 Amp	
	+70C	2.0 Amp	
	+100C	1.0 Amp	
Insertion Force (N)	20 contacts @ ≤18		48 contacts @ ≤45
	30 contacts @ ≤28		64 contacts @ ≤60
	32 contacts @ ≤30		96 contacts @ ≤90
Withdrawal Forces Per Contact (N)	≥ .15		



DRILLED HOLE DIAMETER	PLATING THICKNESS	HOLE DIAMETER	PAD DIAMETER		
1.15 [.0453]	Copper	After Plating .040±.003	1.65 [.065]		
	.03-.08 [.001-.003]				
	Tin .008 [.0003]min.				



APPROVALS



Recognized under the recognized component Program of Underwriters Laboratories, Inc.
File Numbers: E176234

IEC 60603-2 Standard

Bellcore GR 1217 CORE

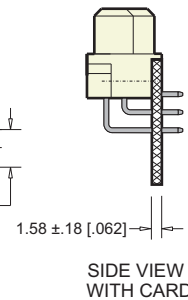
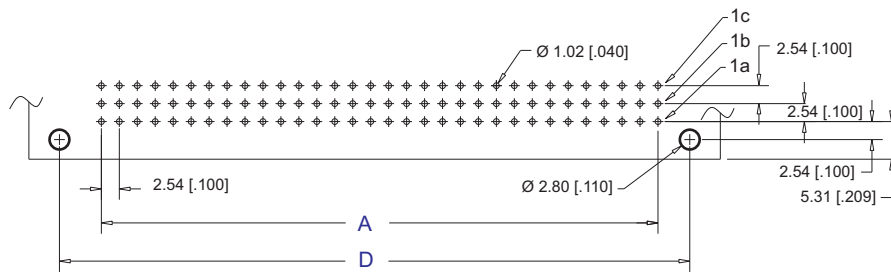
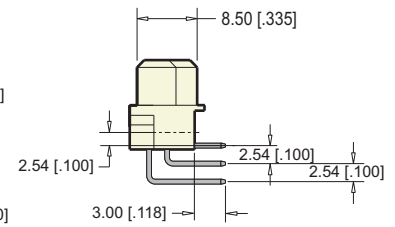
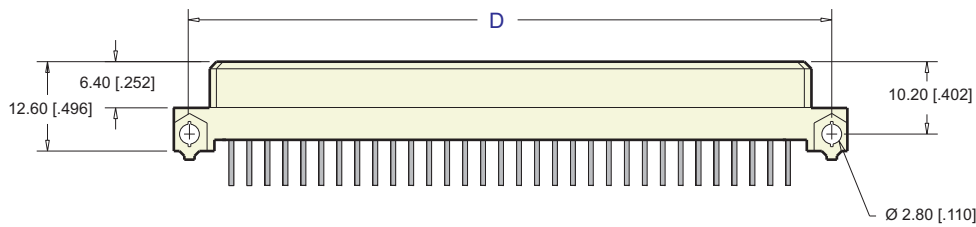
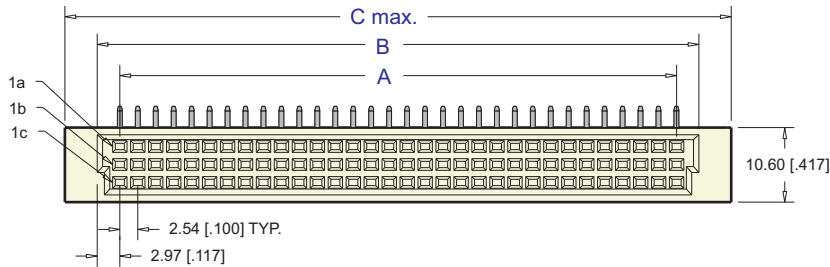
Connectors are available that meet the requirements of Bellcore GR 1217-CORE. Please consult factory for ordering information.

Type R, R/2, Extended Right Angle Female DIN



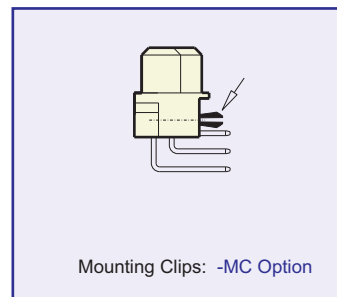
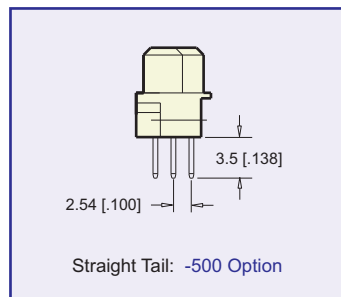
Type R (96 Positions), R Extended (120 and 150 Positions)

Dim.	96 Positions	120 Positions	150 Positions
A	78.74 [3.100]	99.06 [3.900]	124.46 [4.900]
B	85.00 [3.346]	105.21 [4.142]	130.71 [5.146]
C	94.00 [3.700]	114.20 [4.496]	139.60 [5.496]
D	88.90 [3.500]	109.22 [4.300]	134.62 [5.300]



SIDE VIEW WITH CARD

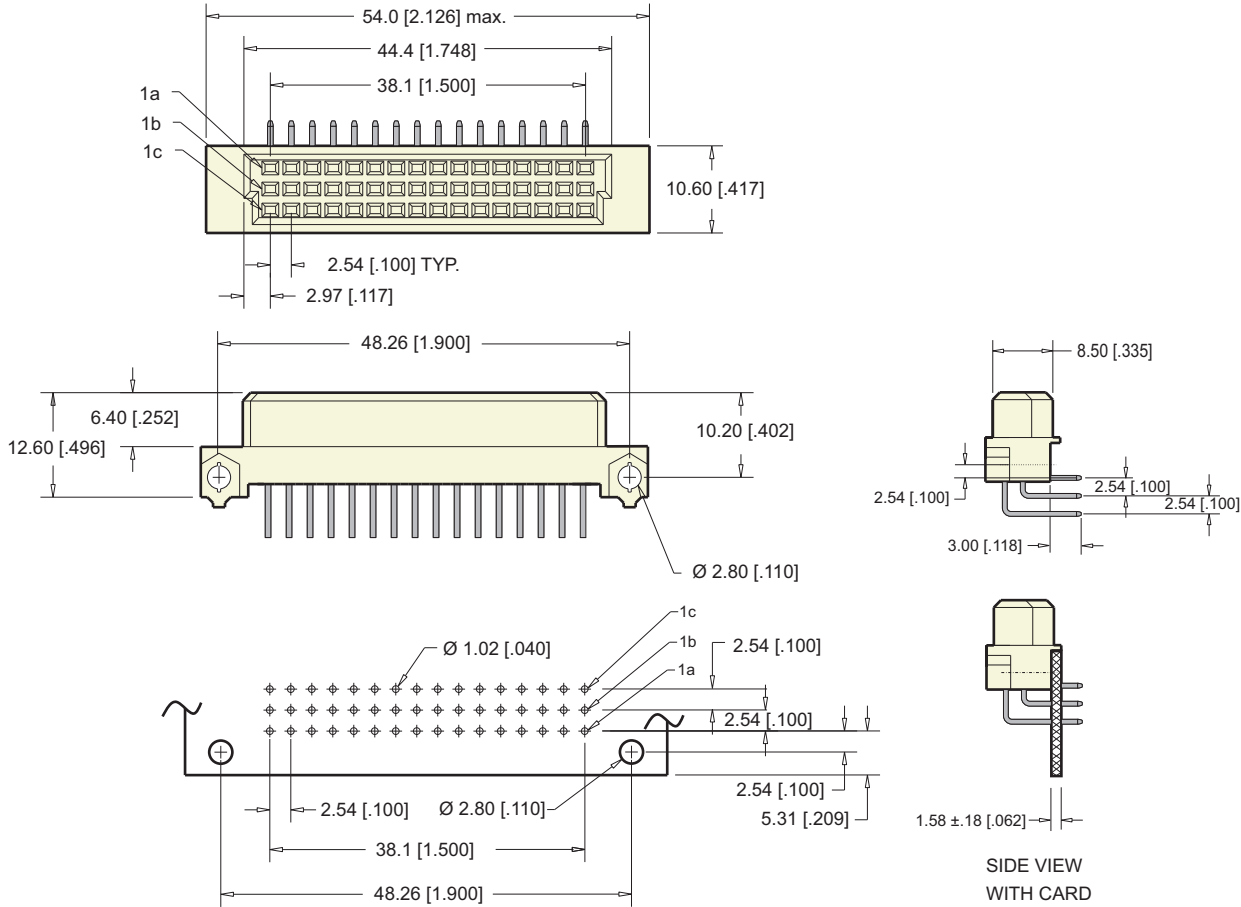
Recommended P. C. Board Layout



Type R, R/2, Extended Right Angle Female DIN



Type R/2, 48 Positions



Recommended P. C. Board Layout

PART NUMBERING

51 - XXX - 8XX - XXX

SERIES CODE

BODY STYLES

- 1 = R/2 (48 positions)
- 2 = R (96 positions)
- 3 = R Extended (150 positions)
- 4 = R Extended (120 positions)

NO. OF CONTACTS

- 1 = 16
- 2 = 32
- 3 = 48
- 4 = 64
- 5 = 96
- 6 = 150
- 7 = 120

CONTACT LOADING

- 1 = Row A, B, and C fully populated
 - 2 = Row A and B fully populated, Row C not populated
 - 3 = Row A and C fully populated, Row B not populated
 - 4 = Row B and C fully populated, Row A not populated
- Consult Factory for other Loading Options

Blank = No Mounting Clip
MC = Mounting Clip
500 = Straight Tail

TAIL PLATING

- 1 = Tin

MATING AREA PLATING

- 1 = Class 1
- 2 = Class 2
- 3 = Class 3