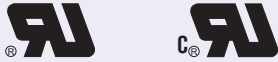


.020 [0.50] BOARD TO BOARD SOCKET

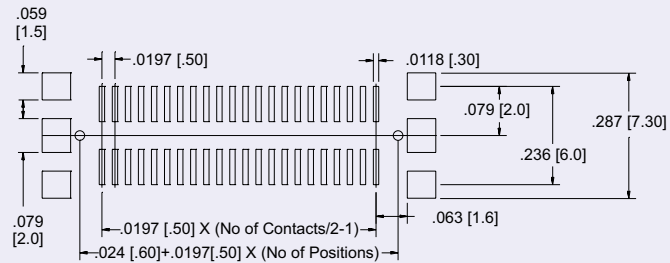
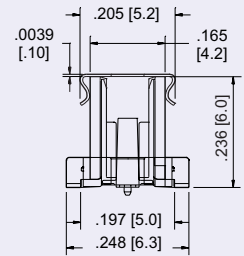
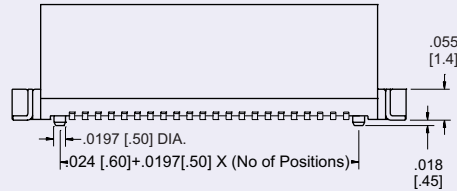
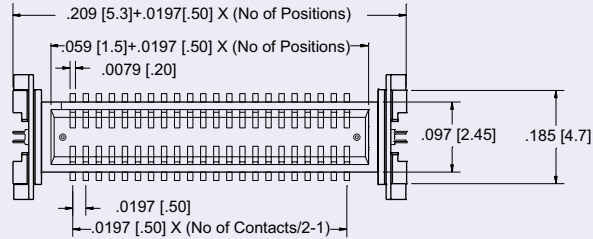
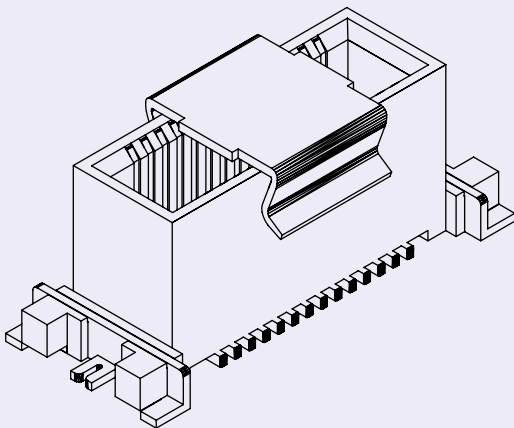


Specifications

Current Rating: 0.3 Amps
 Insulator Resistance: 100 Megohms min
 Contact Resistance: 60m ohm max
 Dielectric Withstanding: AC 250V
 Operating Temperature: -40° ~± 85° C
 Max Processing Temp: 230° C to 60 seconds
 Contact Material: Phosphor Bronze
 Insulator Material: High Temperature Thermoplastic. UL 94V-0
 Finish: See Contact Plating



Recognized under the recognized component Program of Underwriters Laboratories, Inc.
 Products specifications are subject to be changed without notice.



Recommended P.C.B Layout

Dimensions are in inches [mm]

PART NUMBERING



SERIES CODE

NO. OF CONTACTS

10 to 98
 100 Contacts =A0
 120 Contacts =C0

LOCATING PEG OPTIONS

0 = w/o Locating Peg
 1 = with Locating Peg

PACKAGING

MT = Metal Pad + Tube
 MR = Metal Pad + Reel

CONTACT PLATING

Lead Free & RoHS Compliant

.000050" Nickel underplate

CONTACT

03 = Gold Flash
 85 = 15µ" Gold
 90 = 30µ" Gold

CONSULT FACTORY FOR CONNECTORS BUILT TO YOUR DESIGN