

# .032 [0.80] BOARD TO BOARD SMT PLUG

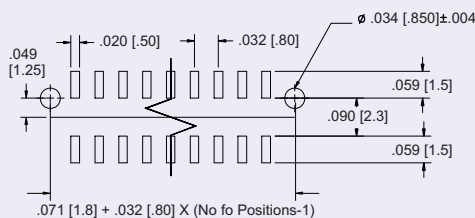
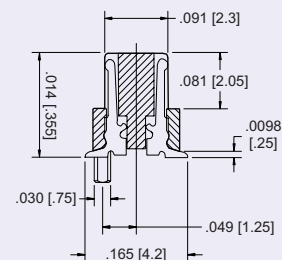
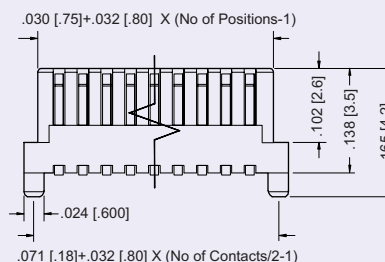
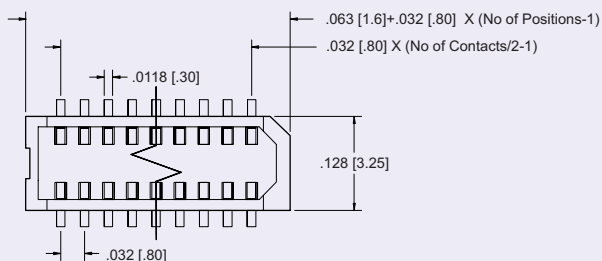
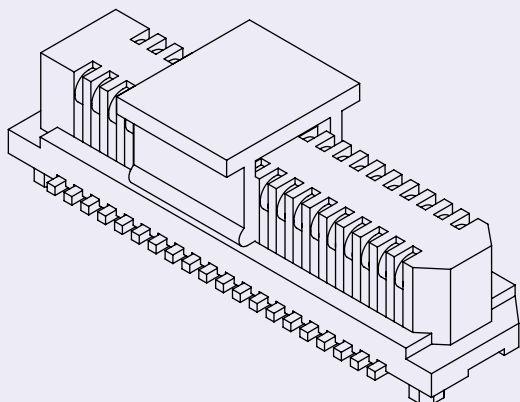


## Specifications

**Current Rating:** 0.3 Amps  
**Insulator Resistance:** 100 Megohms min  
**Contact Resistance:** 40m ohm max  
**Dielectric Withstanding:** AC 250V  
**Operating Temperature:** -40° ~± 85° C  
**Contact Material:** Phosphor Bronze  
**Insulator Material:** High Temperature Thermoplastic. UL 94V-0  
**Actuator:** LCP, UL 94V-0



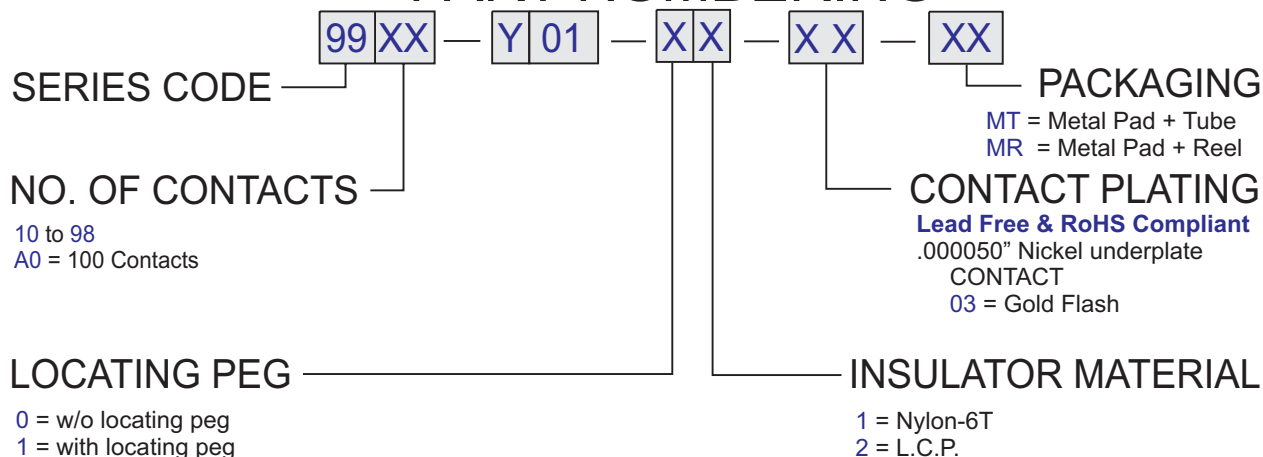
Recognized under the recognized component Program of Underwriters Laboratories, Inc. Products specifications are subject to be changed without notice.



P.C.B Recommended Layout

Dimensions are in inches [mm]

## PART NUMBERING



CONSULT FACTORY FOR CONNECTORS BUILT TO YOUR DESIGN