

.032 [0.80] BOARD TO BOARD SMT SOCKET

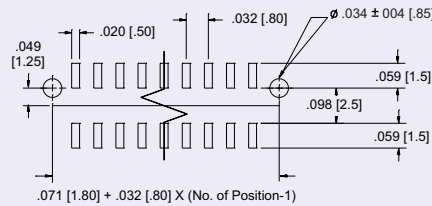
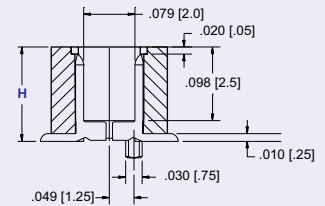
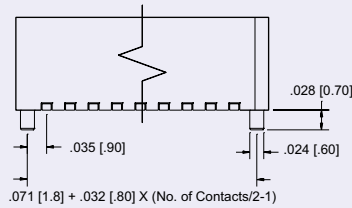
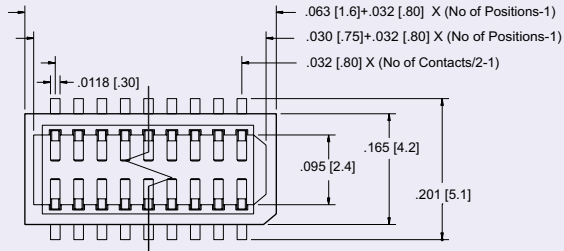
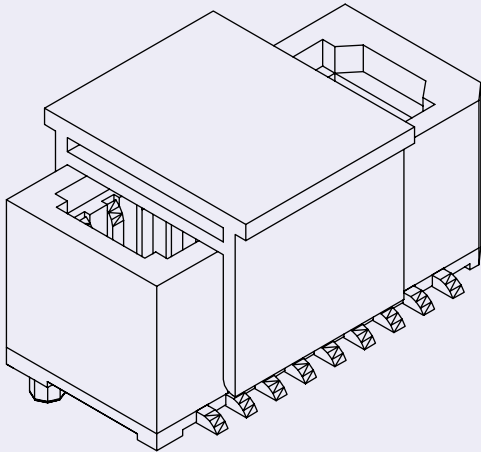


Specifications

Current Rating: 0.5 Amps
Insulator Resistance: 100 Megohms min
Contact Resistance: 40m ohm max
Dielectric Withstanding: AC 500V
Operating Temperature: -40° ~± 85° C
Contact Material: Phosphor Bronze
Insulator Material: High Temperature Thermoplastic. UL 94V-0
Finish: See Contact Plating



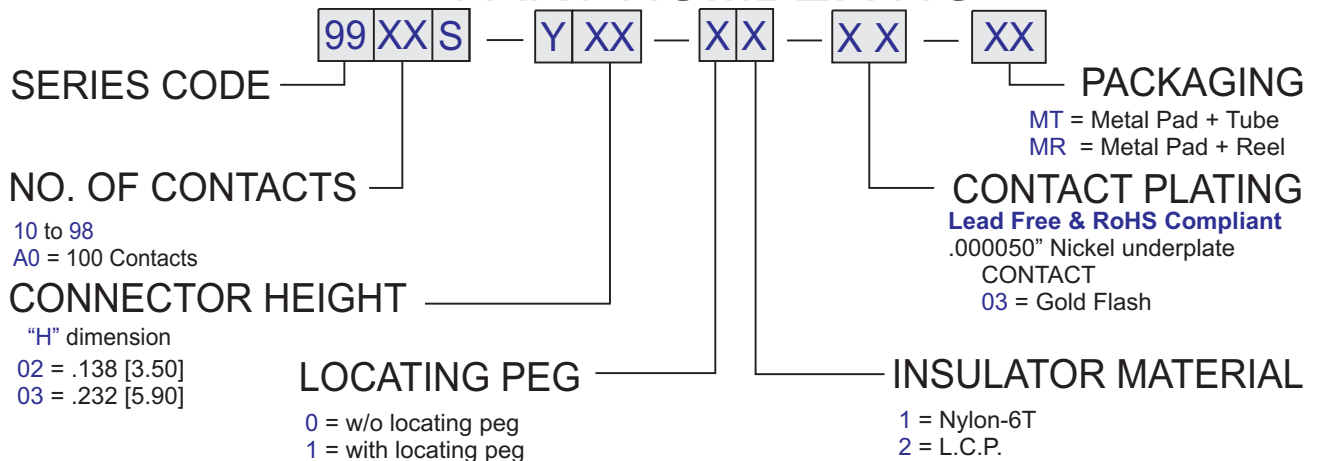
Recognized under the recognized component Program of Underwriters Laboratories, Inc.
 Products specifications are subject to be changed without notice.



Recommended P.C.B Layout

Dimensions are in inches [mm]

PART NUMBERING



CONSULT FACTORY FOR CONNECTORS BUILT TO YOUR DESIGN