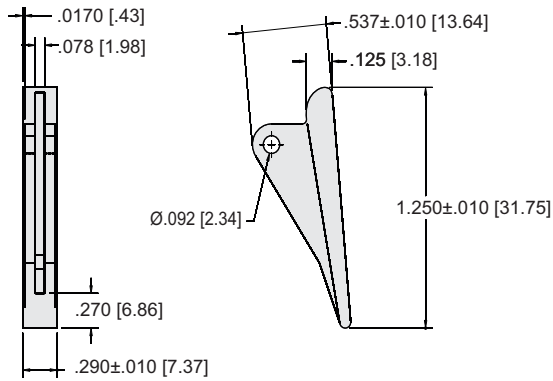
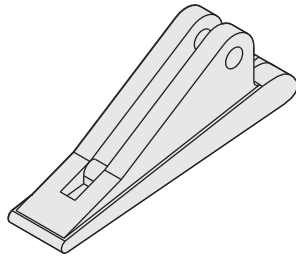


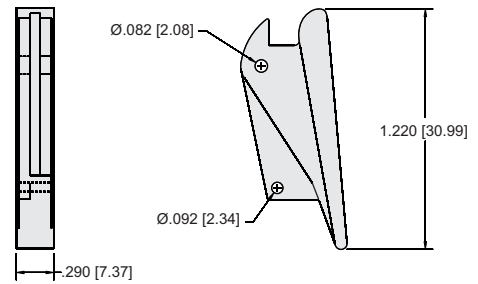
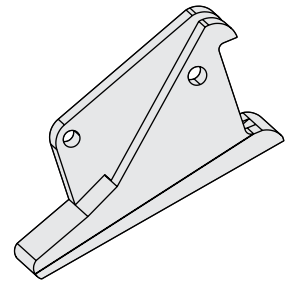
Material: white, EMS A28GM, Natural

EJECTOR



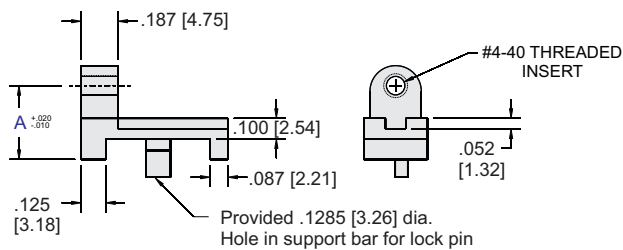
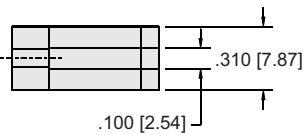
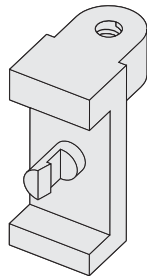
PART NUMBER: **CG-6100**

LOCKING EJECTOR



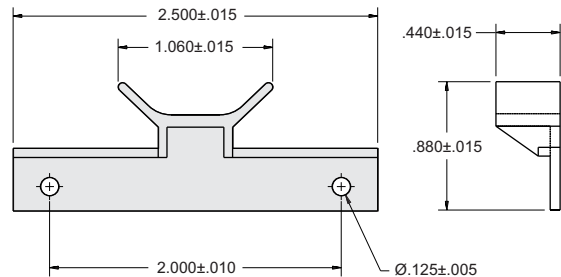
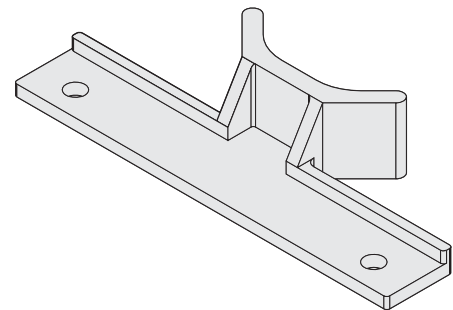
PART NUMBER: **CG-6061**

CONNECTOR FEET



PART NUMBER	A
CG-2359	.359 [9.12]
CG-2422	.422 [10.72]

PULLER



PART NUMBER: **CG-6200**