



## Specifications

Insulator Material: Glass filled polyester, type PBT, 94-VO, UL Recognized.  
Contact Material: Phosphor Bronze Alloy CA510  
Contact Plating: Gold over 50 $\mu$ m Nickel, and Tin Lead (See part numbering for thicknesses).  
Current Rating: 3 amp at 30°C  
Contact Resistance:  
    Contact to Daughter Card:  
    10m ohms  
    Compliant section to P.T.H.:  
    2m ohms  
Insulation Resistance:  
    5000M ohms  
Dielectric Withstand Voltage:  
    1000 V AC  
Compliant Section Insertion Force:  
    40 lbs max per contact  
Compliant Section Withdrawal Force:  
    10 lbs min per contact  
Hole Size Requirements:  
    Drilled Hole Dia.: .0378 $\pm$  .001  
    Plating: .001 to .003 copper and .0003 min Tin.  
Finished Hole Diameter:  
    .032 - .035  
Recommended Board Thickness: .093 to .125

## Features

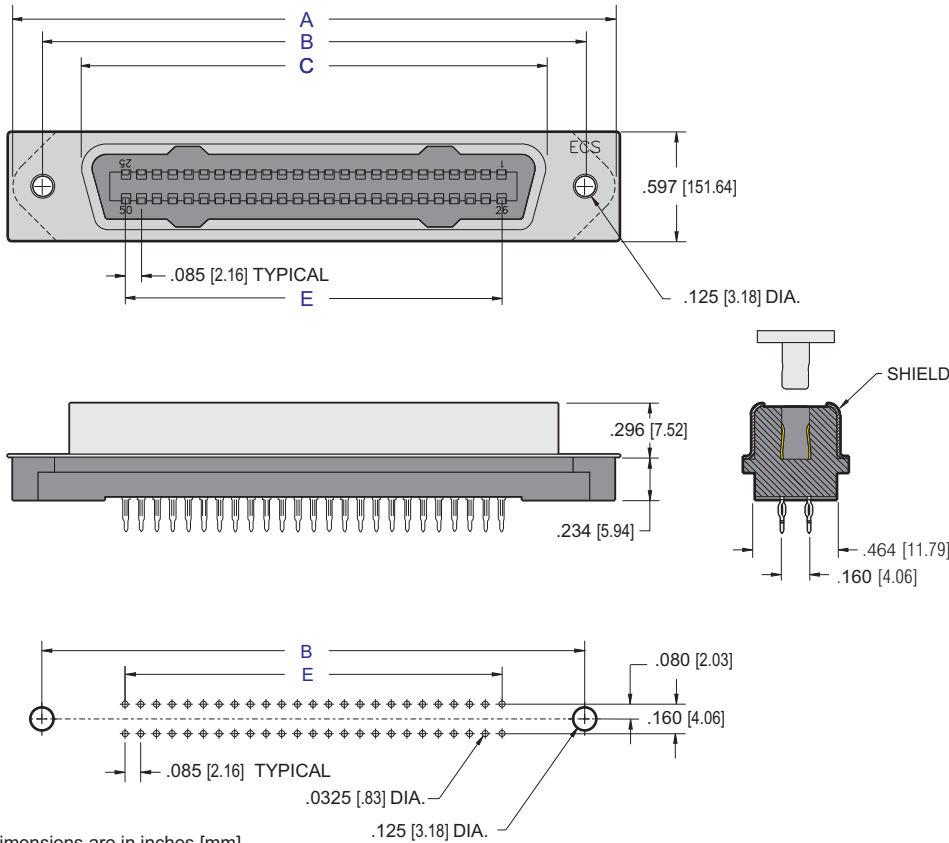
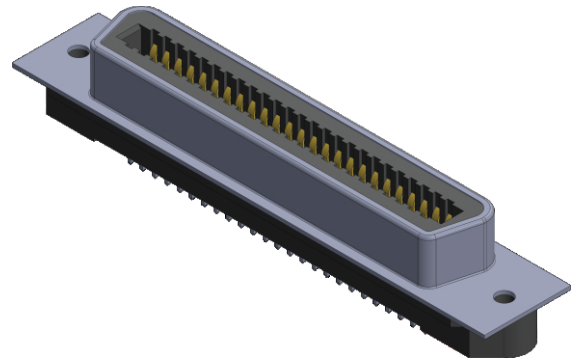
- Flat Plate Installation to eliminate the need for secondary operation tooling which can damage the connector when installed into motherboard.
- Available with through-hole 4-40 insert or 4-40 stand-off mounting hardware.
- Available in selective gold plate at contact point
- Many other custom options available, consult factory



**Recognized under the recognized component Program of Underwriters Laboratories, Inc.**

**For drawings, technical data or samples, contact ECS.**

# Vertical Receptacle / Shield



### MOUNTING OPTIONS

- 1 = #4-40 FLUSH INSERT
- 2 = #4-40 STAND-OFF OPTION
- 3 = THRU HOLE
- 4 = #4-40 STAND-OFF

Dimensions are in inches [mm]

NO. OF CONTACTS	A	B	C	E
25/50	3.270 / 83.06	2.946 / 74.83	2.520 / 64.01	2.040 / 51.82
32/64	3.865 / 98.17	3.541 / 89.94	3.115 / 79.12	2.635 / 66.93

Dimensions are in inches [mm]

## PART NUMBERING



**SERIES CODE**  
.085 X .160 Centers

**NO. CONTACT PAIRS**  
12, 18, 25, 32

**CONNECTOR STYLE**  
R = Receptacle

**PLATING**  
50µ" Nickel Underplate  

<b>Mating Area</b>	<b>Tail</b>
05 = Au Flash	100µ" Tin Lead
20 = 15µ" Gold	100µ" Tin Lead
30 = 30µ" Gold	100µ" Tin Lead

**TAIL LENGTH**  
 1 = .180 [4.57] Press-Fit  
 2 = .300 [7.62] Press-Fit  
 3 = .100 [2.54] Surface Mount  
 4 = .180 [4.57] Solder

**MOUNTING OPTIONS**  
 1 = #4-40 Flush Insert  
 2 = #4-40 Stand-Off Option  
 3 = .125 dia. Thru Hole  
 4 = Stand Off  
 8 = #4-40 tapped hole