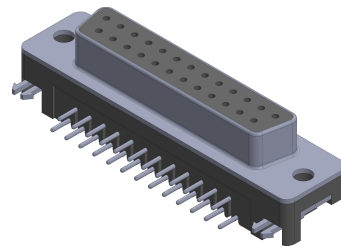
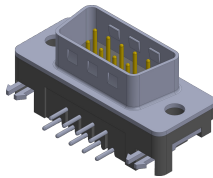
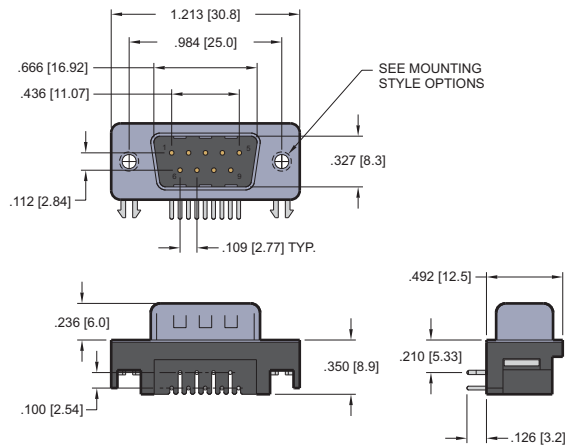


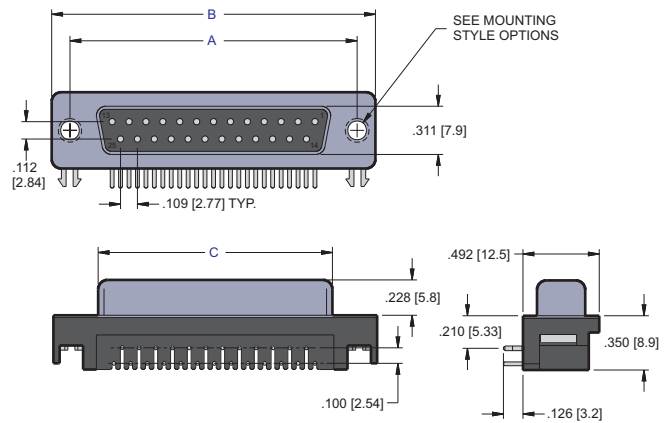
8000 D-Subminiature, 0.210" [5.33] Right Angle



PLUG



RECEPTACLE

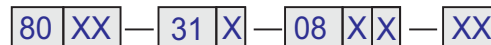


Receptacle

| CONTACTS | A | B | C |
|----------|---------------|---------------|---------------|
| 09 | 0.984 [25.00] | 1.213 [30.80] | 0.642 [16.30] |
| 25 | 1.852 [47.04] | 2.091 [53.10] | 1.508 [38.30] |

Dimensions are in inches [mm]

PART NUMBERING



SERIES CODE

NO. OF CONTACTS

09 = Plug
09, 25 = Receptacle

CONNECTOR TYPE

P = Plug
S = Receptacle

MOUNTING STYLE OPTIONS

08 = Riveted Ground Hooks with #4-40 UNC Open
Consult Factory for other Mounting Options

CONTACT PLATING

50μ" Nickel Underplate

| | |
|--------------------|-------------|
| <u>Mating Area</u> | <u>Tail</u> |
| 05 = Au Flash | 100μ" Tin |
| 20 = 15μ" Gold | 100μ" Tin |
| 30 = 30μ" Gold | 100μ" Tin |

SHELL PLATING

50μ" Nickel Underplate
1 = Tin Plating (standard)

INSULATOR COLOR

1 = Black