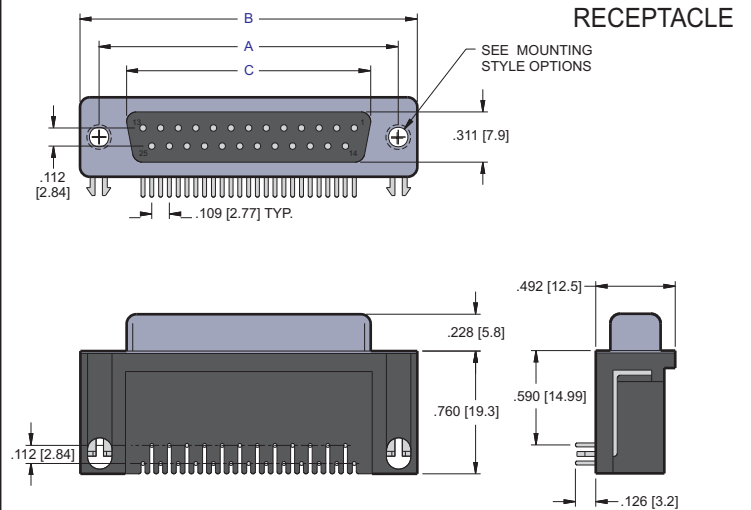
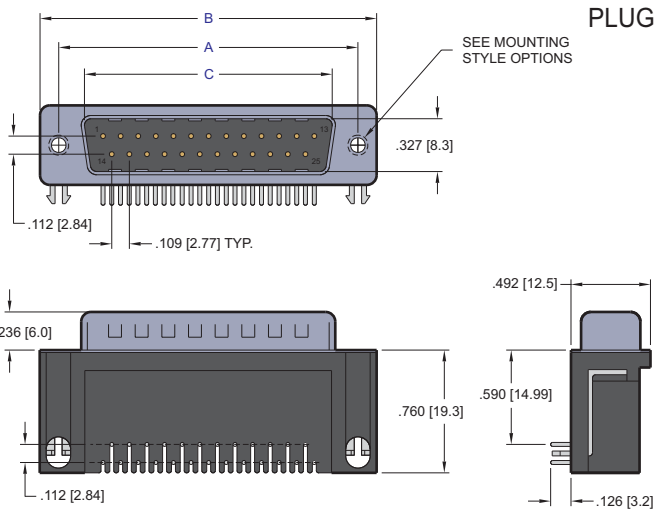
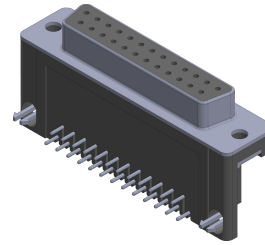
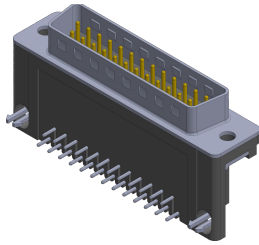


8000 D-Subminiature, 0.590" [14.99] Right Angle



PLUG

CONTACTS	A	B	C
09	0.984 [25.00]	1.213 [30.80]	0.666 [16.92]
15	1.312 [33.32]	1.543 [39.20]	0.994 [25.25]
25	1.852 [47.04]	2.091 [53.10]	1.534 [38.96]
37	2.500 [63.50]	2.732 [69.40]	2.182 [55.42]

Dimensions are in inches [mm]

RECEPTACLE

CONTACTS	A	B	C
09	0.984 [25.00]	1.213 [30.80]	0.642 [16.30]
15	1.312 [33.32]	1.543 [39.20]	0.969 [24.60]
25	1.852 [47.04]	2.091 [53.10]	1.508 [38.30]
37	2.500 [63.50]	2.732 [69.40]	2.157 [54.80]

PART NUMBERING



SERIES CODE

NO. OF CONTACTS

09, 15, 25, 37

CONNECTOR TYPE

P = Plug
S = Receptacle

MOUNTING STYLE OPTIONS

- 08 = Riveted Ground Hooks with #4-40 UNC Open
 - 09 = Riveted Ground Tabs with #4-40 UNC Open
 - 10 = Riveted Ground Hooks with Pre Loaded #4-40 UNC Hex Screws
 - 11 = Assembly Ground Hooks By #4-40 UNC Hex Screws
- Consult Factory for Other Mounting Options

CONTACT PLATING

- 50µ" Nickel Underplate
- Mating Area Tail
- 05 = Au Flash 100µ" Tin
- 20 = 15µ" Gold 100µ" Tin
- 30 = 30µ" Gold 100µ" Tin

SHELL PLATING

- 50µ" Nickel Underplate
- 1 = Tin Plating (standard)

INSULATOR COLOR

- 1 = Black