

# D-SUB FEMALE CRIMP CONNECTOR

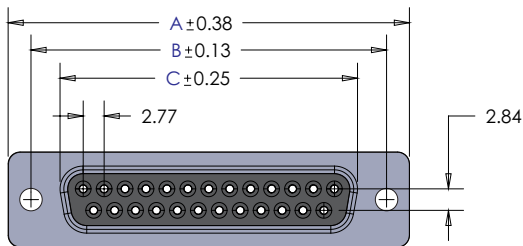


## FEATURES:

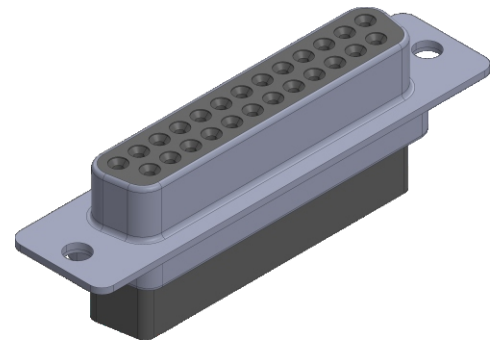
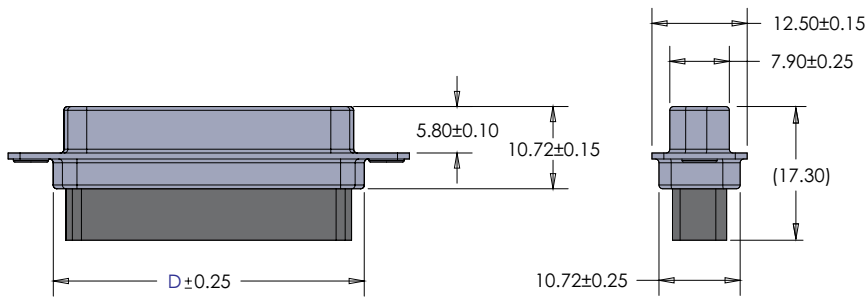
- OUR D-SUB CRIMP CONNECTOR IS AVAILABLE WITH OR WITHOUT CONTACTS.
- STAMPED AND FORMED CONTACTS WITH INSULATION SUPPORT.
- INSULATION SUPPORT CONTACTS FULLY RECESSED.
- STAMP AND FORMED CONTACTS SUPPLIED IN REEL FORM OR LOOSE IN BAGE.
- WIRE SIZE FOR SCRIMP CONTACTS RANGES FROM 22 TO 28 AWG.

## NOTES:

1. INSULATOR MATERIAL: Glass filled thermoplastic PBT, UL94V-0, color black.
2. CONTACT MATERIAL: Brass
3. SHELL MATERIAL: STEEL
4. SHELL PLATING: Tin over Nickel plated.
5. CONTACT RESISTANCE: 25 mΩ max.
6. INSULATOR RESISTANCE: 500mΩ min. at 500v DC
7. DIELECTRIC WITHSTANDING VOLTAGE: 500v AC min. for 1 minute
8. CURRENT RATING: 5 Amp
9. OPERATING TEMPERATURE: -55°C to +125°C



CONTACTS	A	B	C	D
09	3.81	24.99	16.34	19.28
15	39.14	33.32	24.67	27.65
25	53.04	47.04	38.38	41.30
37	69.32	63.50	54.82	57.44



## PART NUMBERING

80 XX - 47 S - XX 1 1 - XX

SERIES CODE

NO. OF CONTACTS

09, 15, 25, 37

CONNECTOR TYPE

S = Receptacle (female)

MOUNTING STYLE OPTIONS

- 01 = .120 Riveted Front and Rear Shell
  - 04 = Riveted #4-40 UNC Open Nut on Rear Shell
  - 05 = Riveted #4-40 UNC Closed Nut on Front Shell
  - 06 = Riveted #4-40 UNC Open Nut on Front Shell
  - 12 = Riveted #4-40 UNC Close Ground Stand Off an Rear Shell
- Consult Factory for other Mounting Options

REFERENCE NUMBER (required if order with contact)

Stamp and Machine Contact Reference Number refer to contact page.  
BLANK = Insulator Only