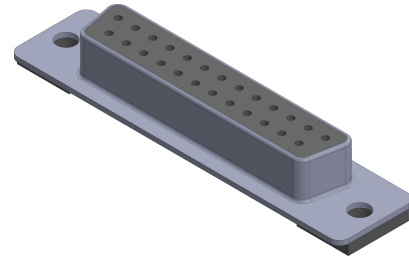
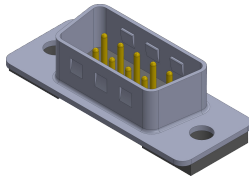
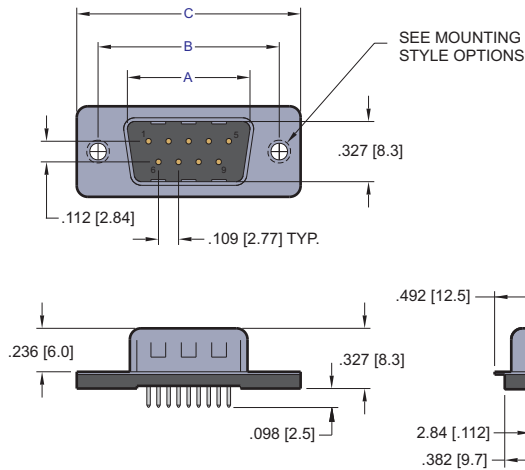


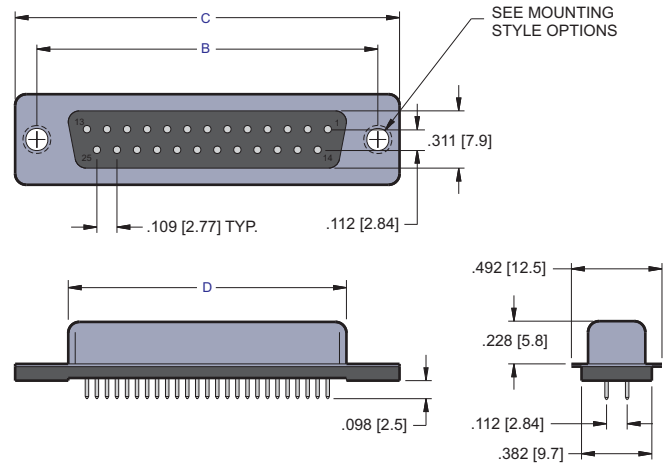
# 8000 D-Subminiature, Solder Tail, Low Profile



## PLUG



## RECEPTACLE



NO. OF CONTACTS	A	B	C	D
09	0.666 [16.92]	0.984 [25.00]	1.213 [30.81]	0.642 [16.33]
15	1.004 [25.50]	1.312 [33.32]	1.541 [39.14]	0.969 [24.66]
25	1.534 [38.96]	1.852 [47.04]	2.088 [53.04]	1.508 [38.38]
37	2.182 [55.42]	2.500 [63.50]	2.729 [69.32]	2.157 [54.84]

Dimensions are in inches [mm]

## PART NUMBERING



**SERIES CODE**  
Low Profile Straight Dip Solder

**NO. OF CONTACTS**  
09 = Plug  
25 = Receptacle

**CONNECTOR TYPE**  
P = Plug  
S = Receptacle

**MOUNTING STYLE OPTIONS**  
00 = .120 dia. Thru Holes  
02 = #4-40 Threaded Insert  
Consult Factory for other Mounting Options

**CONTACT PLATING**  
50µ" Nickel Underplate  
**Mating Area**      **Tail**  
05 = Au Flash      100µ" Tin  
20 = 15µ" Gold      100µ" Tin  
30 = 30µ" Gold      100µ" Tin

**SHELL PLATING**  
50µ" Nickel Underplate  
1 = Tin Plating (standard)

**INSULATOR COLOR**  
1 = Black (Standard)