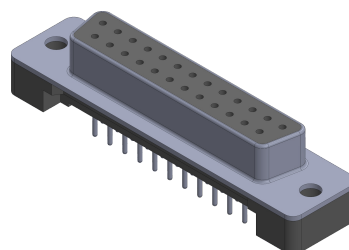
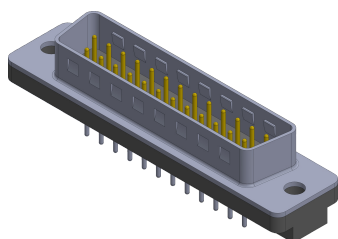
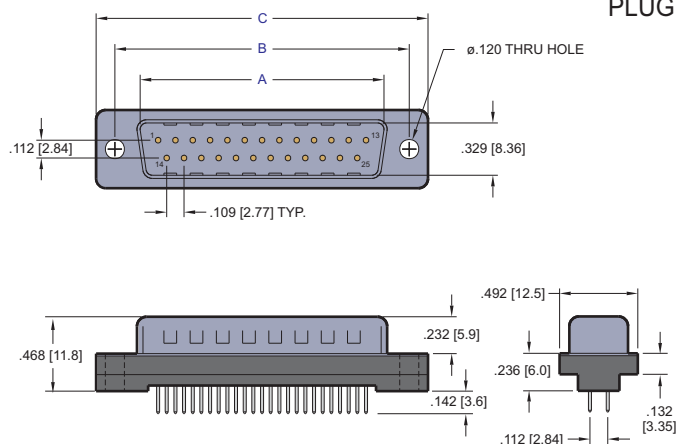


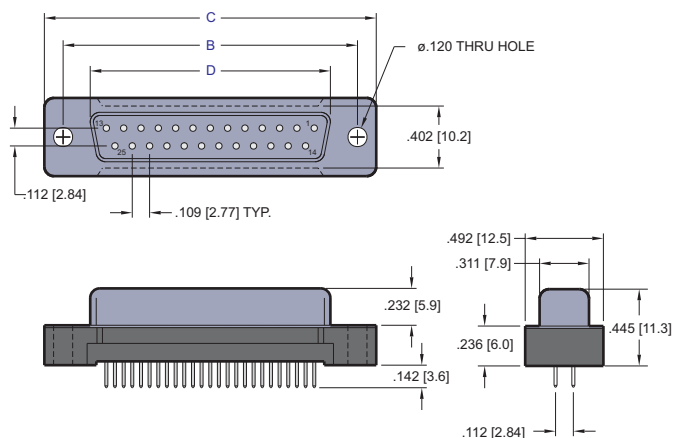
8000 D-Subminiature, Solder Tail Without Rear Shell



PLUG



RECEPTACLE



| NO. OF CONTACTS | A | B | C | D |
|-----------------|---------------|---------------|---------------|---------------|
| 09 | 0.666 [16.92] | 0.984 [25.00] | 1.213 [30.81] | 0.642 [16.33] |
| 15 | 1.004 [25.50] | 1.312 [33.32] | 1.541 [39.14] | 0.969 [24.66] |
| 25 | 1.534 [38.96] | 1.852 [47.04] | 2.088 [53.04] | 1.508 [38.38] |
| 37 | 2.182 [55.42] | 2.500 [63.50] | 2.729 [69.32] | 2.157 [54.84] |

Dimensions are in inches [mm]

PART NUMBERING



SERIES CODE

NO. OF CONTACTS

09, 15, 25, 37

CONNECTOR TYPE

P = Plug
S = Receptacle

MOUNTING STYLE OPTIONS

- 00 = .120 dia. Thru Holes
 - 02 = #4-40 Threaded Insert
 - 03 = #4-40 Threaded Insert with # 4-40 UNC Screw Lock
 - 15 = #4-40 Threaded Insert with Board Lock
 - 16 = #4-40 Screw Lock with Board Lock
- Consult Factory for other Mounting Options

CONTACT PLATING

- 50 μ " Nickel Underplate
- Mating Area Tail
- 05 = Au Flash 100 μ " Tin
- 20 = 15 μ " Gold 100 μ " Tin
- 30 = 30 μ " Gold 100 μ " Tin

SHELL PLATING

- 50 μ " Nickel Underplate
- 1 = Tin Plating (standard)
- 2 = Yellow Chromate

INSULATOR COLOR

- 1 = Black (Standard)
- 2 = White
- 3 = Blue