

Type Q, Q/2, Q/3 Pinless Backplane Shroud

Specifications

Insulator Material: Glass filled polyester, type PBT,
94 V-O, UL Rated.
Insulation Resistance:
 10^{12} m Ohms
Dielectric Strength:
500 VDC (Sea Level)
Temperature Rating:
-55° C to 125° C

Features

- Interference Fit Mounting eliminates the need for additional Mounting Hardware.
- Shrouds are removable, facilitating field repairability.
- Eight sizes accommodate 3 wrap-post lengths used in a wide range of PCBs.
- Shroud retained on .61 - .64 [.024 - .025] square posts.

The pin less backplane shroud provides board-to board interconnections from the DIN type Q or B connector to a second DIN connector interface.

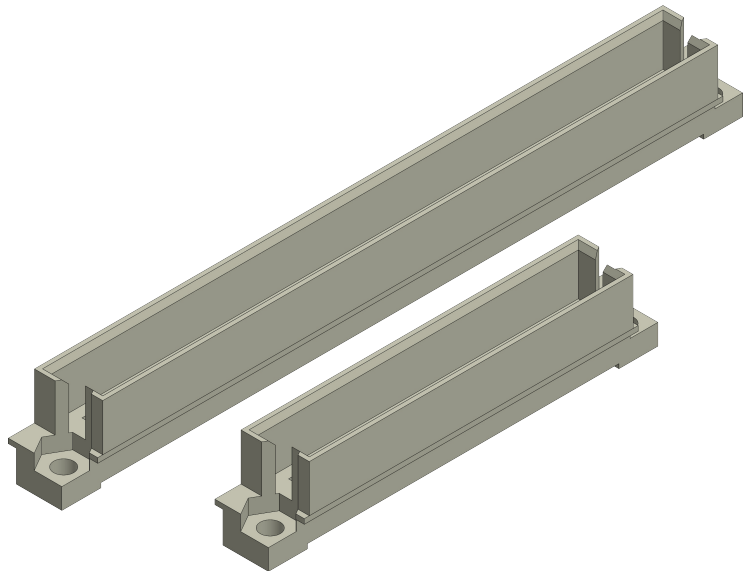
The shrouds accommodate a variety of extended contact lengths to provide a versatile, rear panel connection system.

APPROVALS



Recognized under the recognized component Program of Underwriters Laboratories, Inc.
File Numbers: E176234

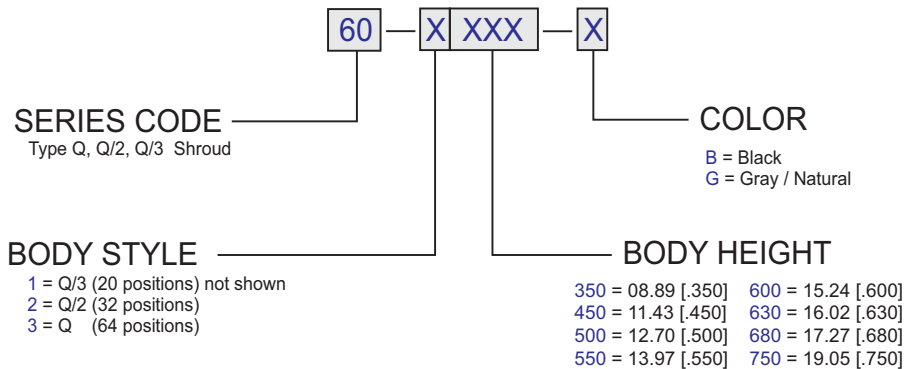
IEC 60603-2 Standard



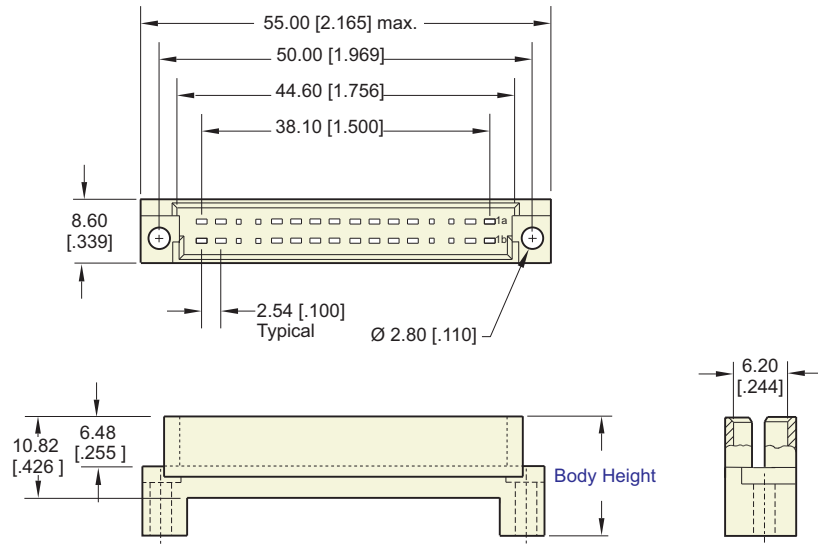
Bellcore GR 1217 CORE

Connectors are available that meet the requirements of Bellcore GR 1217-CORE. Please consult factory for ordering information.

PART NUMBERING



TYPE Q/2, 32 Positions



TYPE Q, 64 Positions

