

# Type RD, RD/2, RD/3 Pinless Backplane Shroud



## Specifications

Insulator Material: Glass filled polyester, type PBT,  
94 V-O, UL Rated.  
Insulation Resistance:  
10<sup>12</sup> m Ohms  
Dielectric Strength:  
500 VDC (Sea Level)  
Temperature Rating:  
-55° C to 125° C

## Features

- Interference Fit Mounting eliminates the need for additional Mounting Hardware.
- Shrouds are removable, facilitating field repairability.
- Eight sizes accommodate 3 wrap-post lengths used in a wide range of PCBs.
- Shroud retained on .61 - .64 [.024 - .025] square posts.

The pin less backplane shroud provides board-to board interconnections from the DIN type RD or CD connector to a second DIN connector interface.

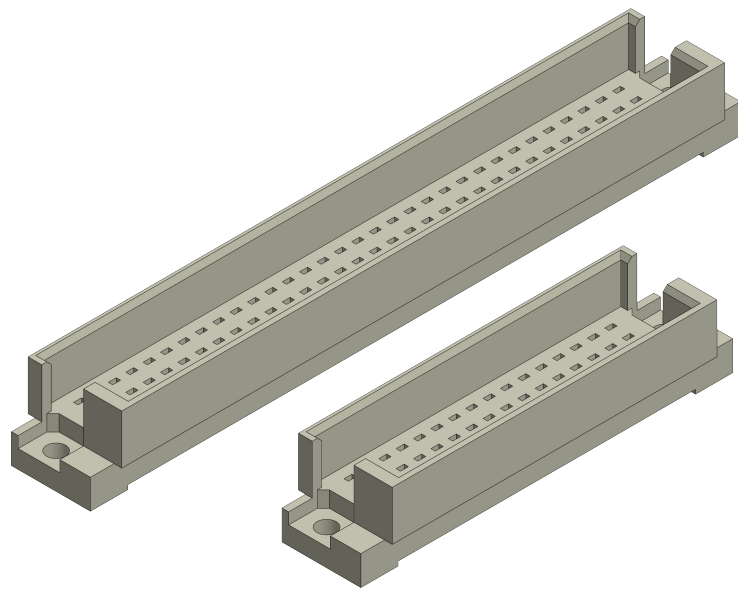
The shrouds accommodate a variety of extended contact lengths to provide a versatile, rear panel connection system.

## APPROVALS



Recognized under the recognized component Program of Underwriters Laboratories, Inc.  
File Numbers: E176234

## IEC 60603-2 Standard



## Bellcore GR 1217 CORE

Connectors are available that meet the requirements of Bellcore GR 1217-CORE. Please consult factory for ordering information.

## PART NUMBERING

62 - X - XXX - X

**SERIES CODE**  
Type RD, RD/2, RD/3 Shroud

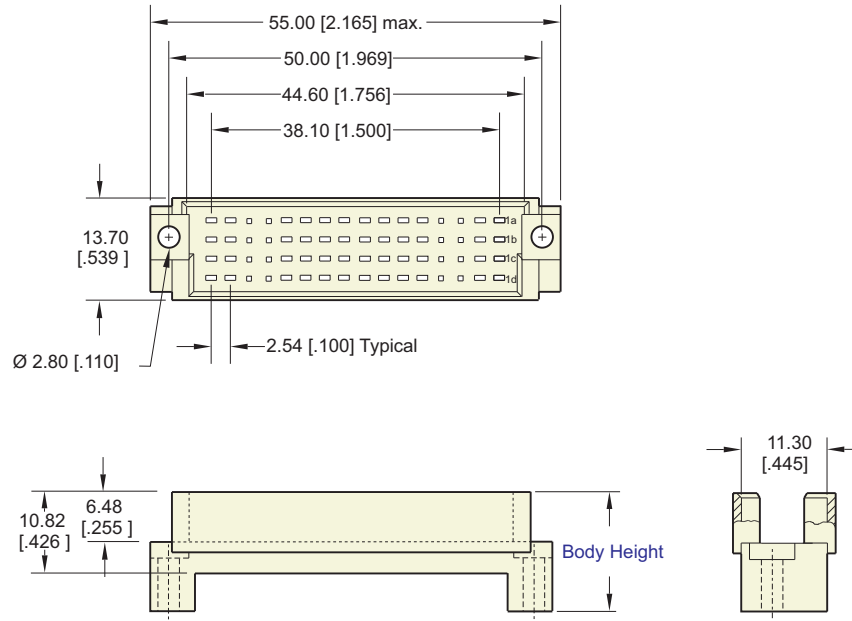
**COLOR**

B = Black  
G = Gray / Natural

**BODY STYLE**  
1 = RD/3 (40 positions) not shown  
2 = RD/2 (64 positions)  
3 = RD (128 positions)

**BODY HEIGHT**  
350 = 08.89 [.350]    600 = 15.24 [.600]  
450 = 11.43 [.450]    630 = 16.02 [.630]  
500 = 12.70 [.500]    680 = 17.27 [.680]  
550 = 13.97 [.550]    750 = 19.05 [.750]

## Type RD/2, 64 Positions



## Type RD, 128 Positions

