

Type TE, TE/2, TE/3 Pinless Backplane Shroud



Specifications

Insulator Material: Glass filled polyester, type PBT,
94 V-O, UL Rated.
Insulation Resistance:
10¹² m Ohms
Dielectric Strength:
500 VDC (Sea Level)
Temperature Rating:
-55° C to 125° C

Features

- Interference Fit Mounting eliminates the need for additional Mounting Hardware.
- Shrouds are removable, facilitating field repairability.
- Eight sizes accommodate 3 wrap-post lengths used in a wide range of PCBs.
- Shroud retained on .61 - .64 [.024 - .025] square posts.

The pin less backplane shroud provides board-to board interconnections from the DIN type TE or E connector to a second DIN connector interface.

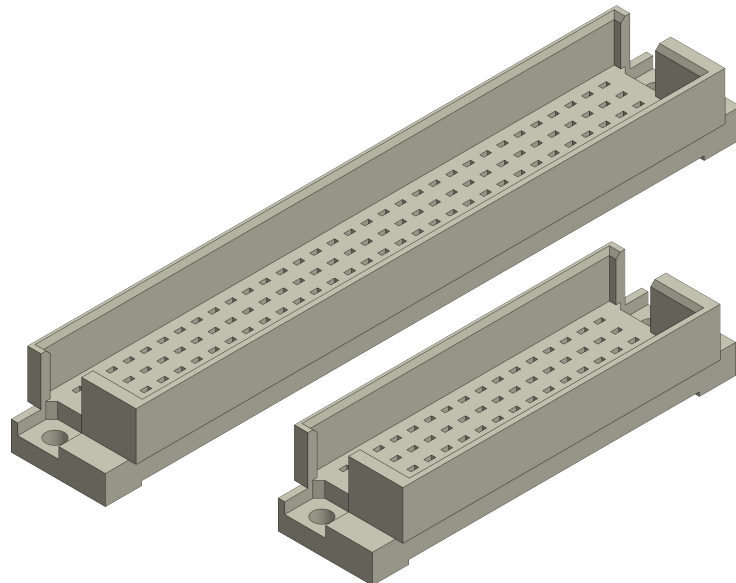
The shrouds accommodate a variety of extended contact lengths to provide a versatile, rear panel connection system.

APPROVALS



Recognized under the recognized component Program of Underwriters Laboratories, Inc.
File Numbers: E176234

IEC 60603-2 Standard



Bellcore GR 1217 CORE

Connectors are available that meet the requirements of Bellcore GR 1217-CORE. Please consult factory for ordering information.

PART NUMBERING

63 - X - XXX - X

SERIES CODE
Type TE, TE/2, TE/3 Shroud

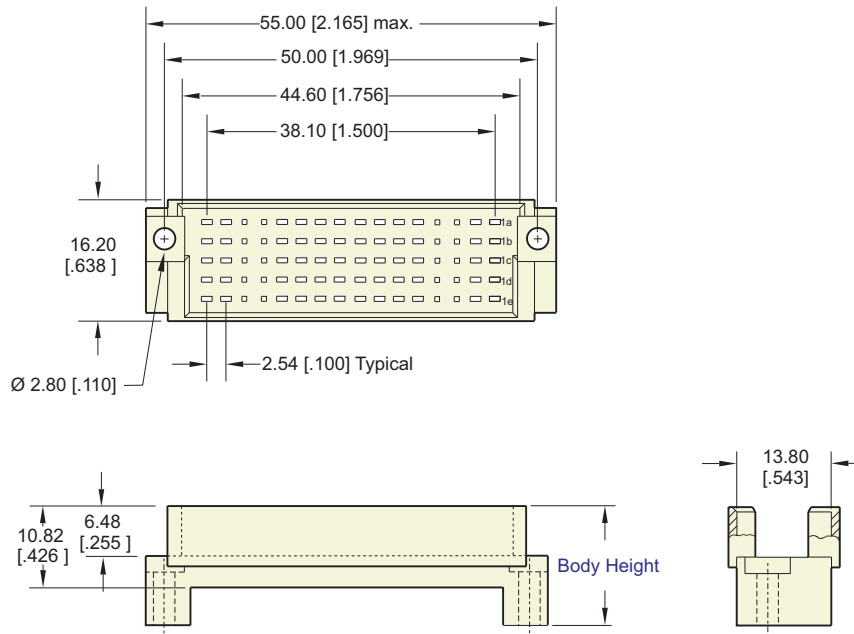
COLOR

B = Black
G = Gray / Natural

BODY STYLE
1 = TE/3 (50 positions) not shown
2 = TE/2 (80 positions)
3 = TE (160 positions)

BODY HEIGHT
350 = 08.89 [.350] 600 = 15.24 [.600]
450 = 11.43 [.450] 630 = 16.02 [.630]
500 = 12.70 [.500] 680 = 17.27 [.680]
550 = 13.97 [.550] 750 = 19.05 [.750]

Type TE/2, 80 Positions



Type TE, 160 Positions

