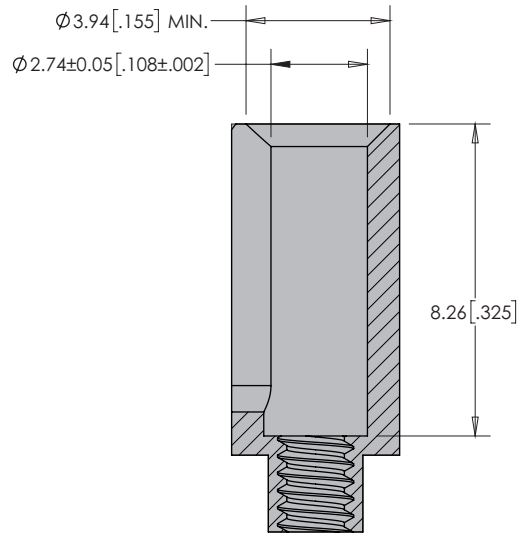
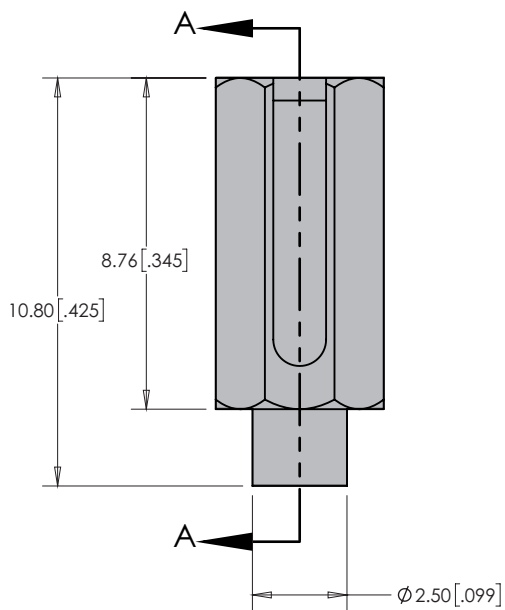
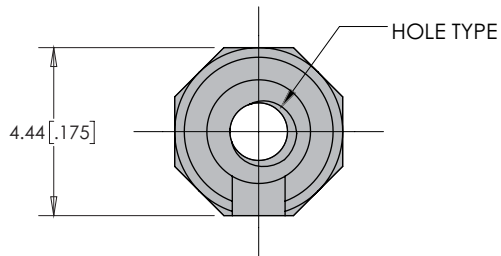
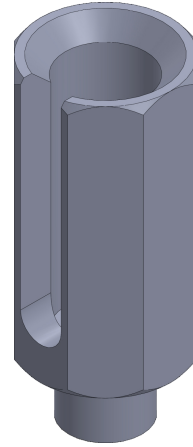


HDI 3 and 4 ROW MOUNTING EAR KIT



MATERIAL: Stainless Steel 301

PART NUMBER	HOLE TYPE
69-4525-01	#2-56 UNC-2B
69-4525-02	#0-80 UNC-2B
69-4525-03	Ø0.078 HOLE



SECTION A-A