

# 2 Row HDI Female Right Angle

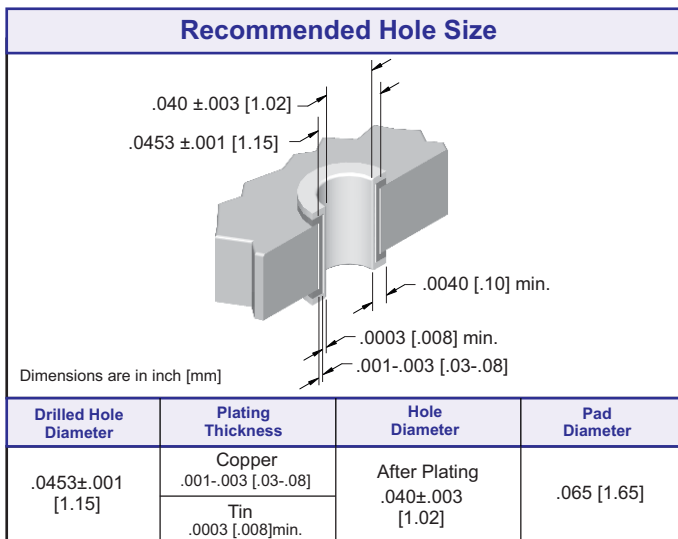


## Specifications

Insulator Material: Thermoplastic, color natural (brown)  
 94 V-O, UL Rated.  
 Contact Material: Copper Alloy  
 Contact Plating: Gold and/or Tin over .000050" Nickel,  
 (See Contact Plating Options).  
 Current Range at Ambient Temp. Of:
 

- +20C = 3 amp
- +70C = 2 amp
- +100C = 1 amp

 Contact Resistance:  $\leq 20m \Omega$   
 Insulation Resistance:  $\geq 10^{12} m \Omega$  at 100 VDC  
 Dielectric Strength:  $\leq 1000$  VDC  
 Compliant Section Insertion Force: 40 lbs max per contact  
 Compliant Section Withdrawal Force: 10 lbs min. per contact  
 Recommended Board Thickness: .093"+  
 Operating Temperature: -65°C to +125C



CONTACTS	A	B	C	D
20	22.86 [.900]	26.01 [1.024]	36.83 [1.450]	44.45 [1.750]
40	48.26 [1.900]	51.41 [2.024]	62.23 [2.450]	69.85 [2.750]
50	60.96 [2.400]	64.77 [2.550]	74.93 [2.950]	82.55 [3.250]
60	73.66 [2.900]	76.81 [3.024]	87.63 [3.450]	95.25 [3.750]
70	86.36 [3.400]	89.51 [3.524]	100.33 [3.950]	107.95 [4.250]
80	99.06 [3.900]	102.21 [4.024]	113.03 [4.450]	120.65 [4.750]
100	124.46 [4.900]	127.61 [5.024]	138.43 [5.450]	146.05 [5.750]
110	137.16 [5.400]	140.31 [5.524]	151.13 [5.950]	158.75 [6.250]
120	149.86 [5.900]	153.01 [6.024]	163.83 [6.450]	171.45 [6.750]
140	175.26 [6.900]	178.41 [7.024]	189.23 [7.450]	196.85 [7.750]
150	187.96 [7.400]	191.11 [7.524]	201.93 [7.950]	209.55 [8.250]
160	200.56 [7.900]	203.81 [8.024]	214.63 [8.450]	222.25 [8.750]
180	226.06 [8.900]	229.21 [9.024]	240.03 [9.450]	247.65 [9.750]
200	251.46 [9.900]	255.27 [10.050]	265.43 [10.450]	273.05 [10.750]

## APPROVALS

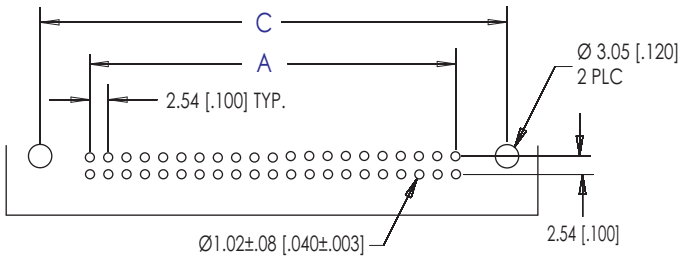
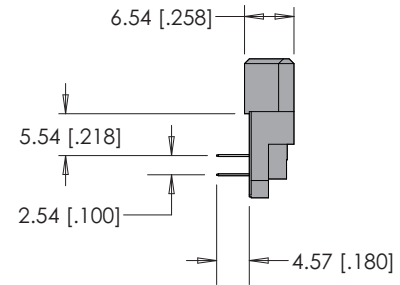
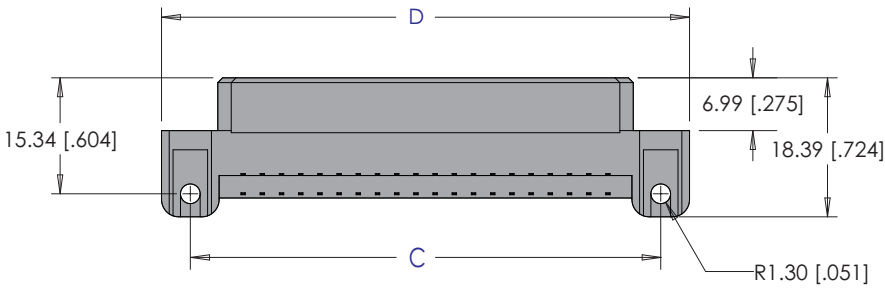
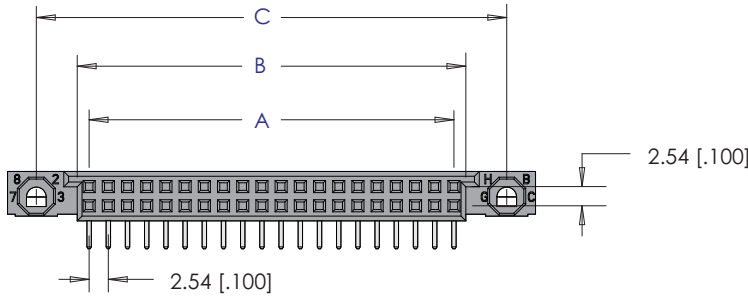
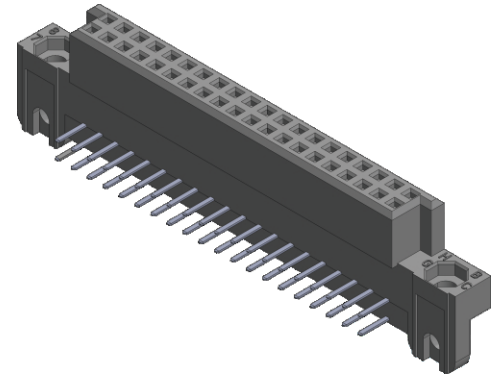


Recognized under the recognized component  
 Program of Underwriters Laboratories, Inc.  
 File Numbers: E176234

## Bellcore GRE 1217 CORE

Connectors are available that meet the requirements of Bellcore GRE-1217-CORE. Please consult factory for ordering information.

2 ROW HDI Right Angle Connector, 2.54 [.100] Contact Spacing



RECOMMENDED P.C. BOARD LAYOUT

## PART NUMBERING

68 — B XXX X — 8 X 5 — XXX

**SERIES CODE**

Female HDI Right Angle

**NUMBER OF ROW**

B = 2

**NUMBER OF CONTACTS**

See Contact Table

**CONTACT ARRANGEMENT**

A = Row A and B fully populated

Blank = No Mounting Clip  
MC = Mounting Clip

**TAIL PLATING**

5 = Matte Tin

**MATING AREA PLATING**

1 = 30µ" Au over 50µ" Ni  
2 = 15µ" Au over 50µ" Ni  
3 = Flash Au over 50µ" Ni