

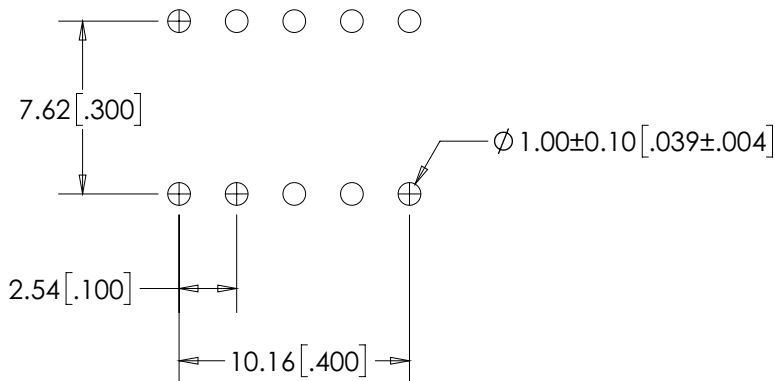
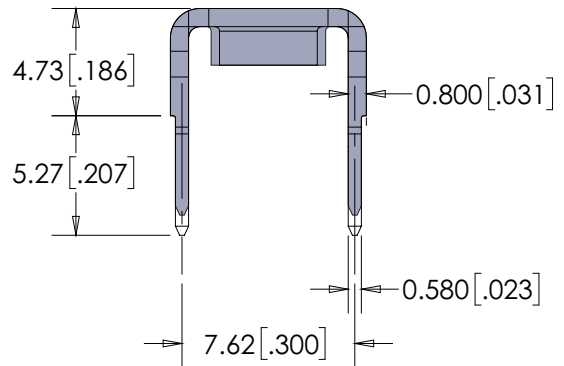
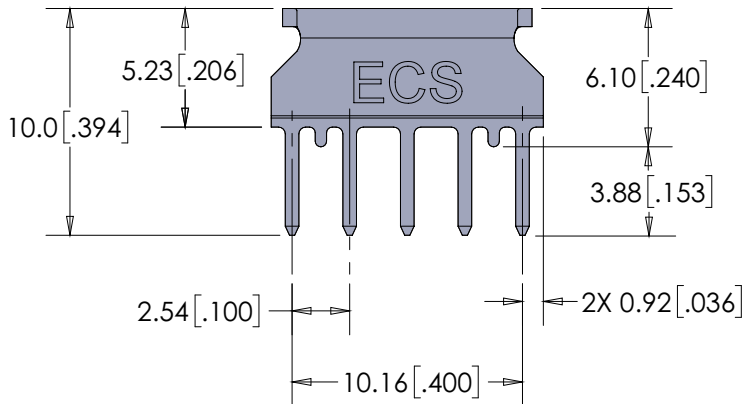
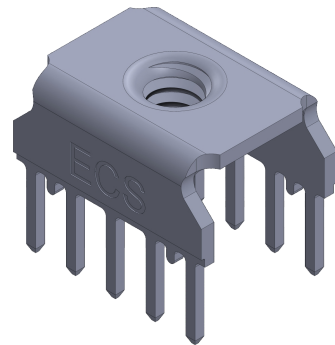
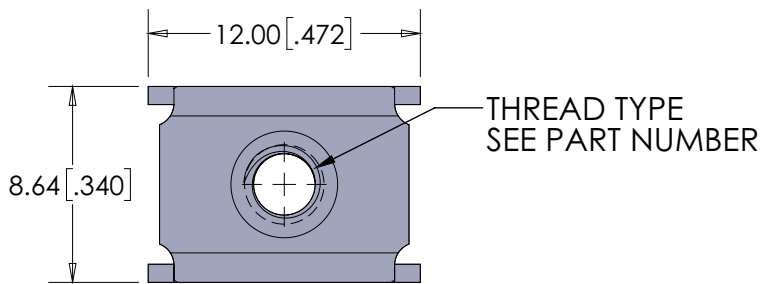
10 CONTACTS POWER TAP, SOLDER TAIL



NOTES:

1. Material: Copper Alloy
2. Plating: Tin over Nickel
3. Current Rating: 40A max. per contact.
4. Operating Temperature: -55°C to +125°C
5. Recommended Hole Size Diameter: $\varnothing 1.00 \pm .10$

PART NUMBER	THREAD TYPE
13PTS10-M3	M3
13PTS10-M4	M4
13PTS10-632	6-32UNC
13PTS10-832	8-32UNC



P.C. BOARD