

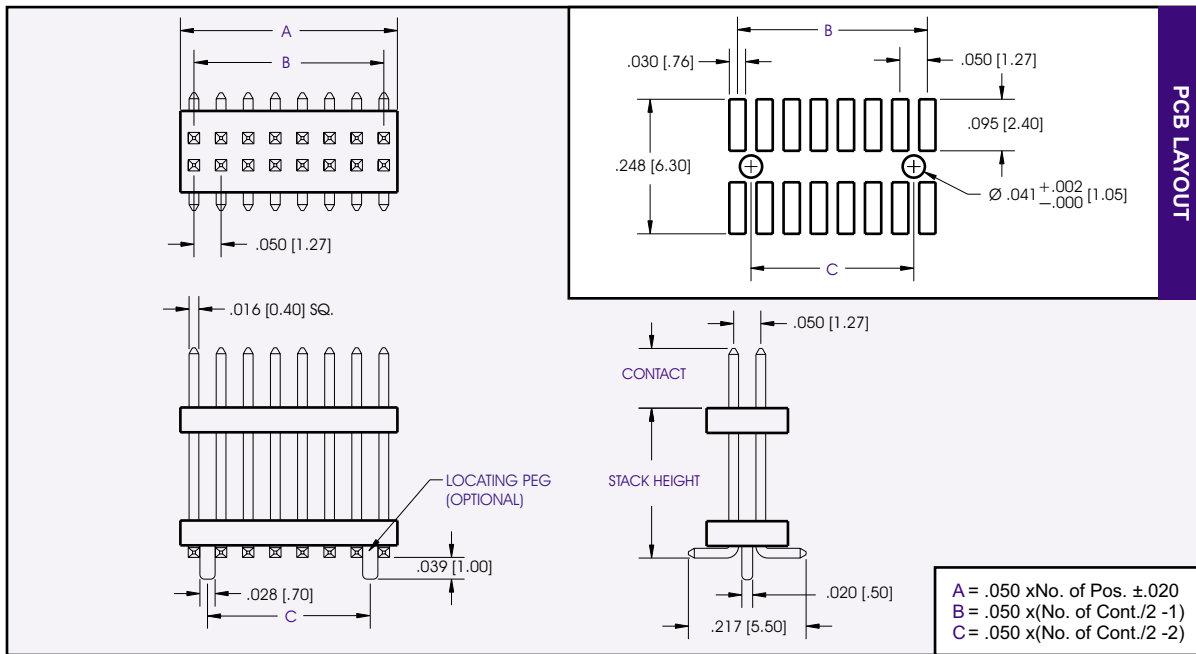
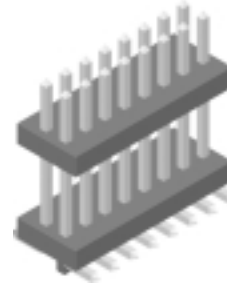


9600 Series Headers

.050 x .050 Stacking SMT Header

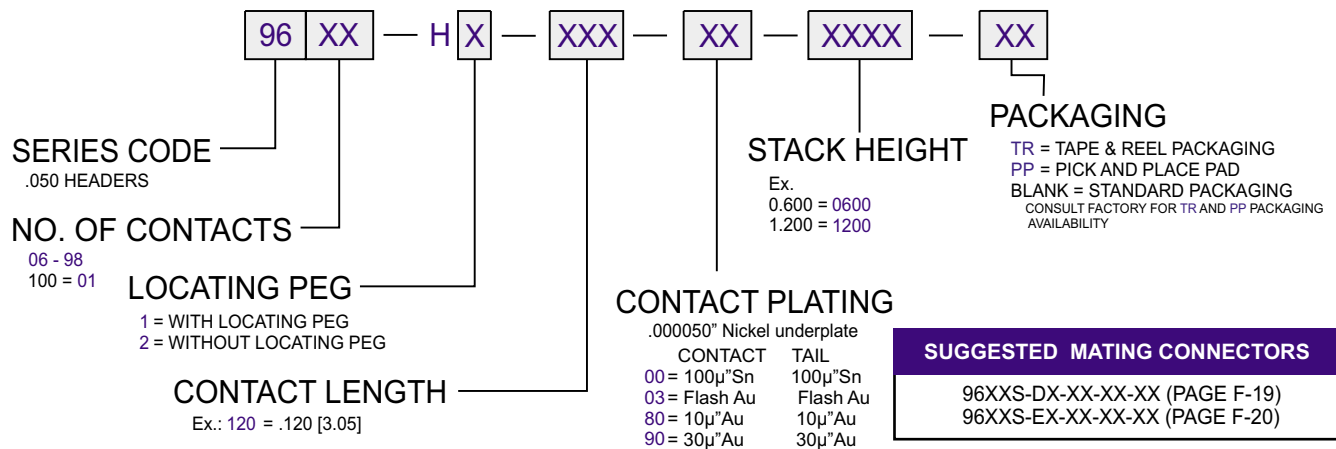
Specifications

Insulator Material: Glass filled polyester, Thermoplastic,
 94V-O Nylon-6T, UL Recognized.
 Contact Material: Copper Alloy
 Contact Plating: Gold or Tin over .000050" Ni
 (See contact plating options).
 Insulation Resistance: 5000 M ohms min.
 Dielectric Withstand Voltage: 500 VAC
 Current Rating: 1 AMP
 Operating Temperature: -40°C To +105°C
 Max. Operating Temp.: 230°C for 60 seconds
 UL File Numbers: E146967 & E176234



ALL DIMENSIONS ARE IN INCHES & [MM]

PART NUMBERING



CONSULT FACTORY FOR CONNECTORS BUILT TO YOUR SPECIFICATION