

.100 [2.54] SOCKET

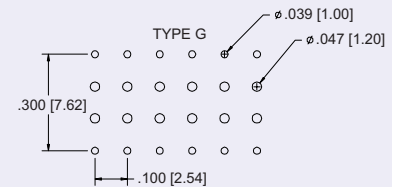
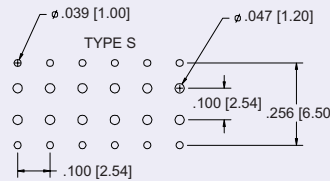
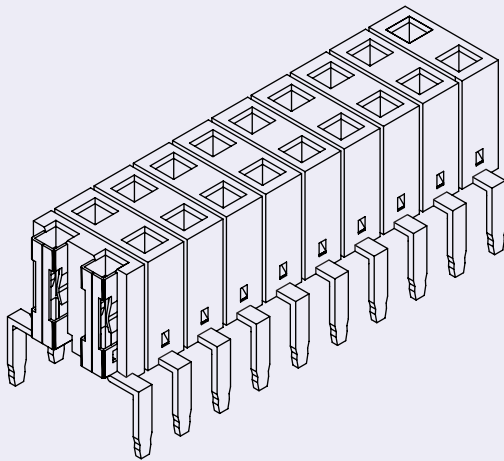
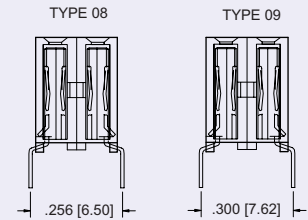
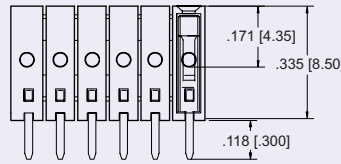
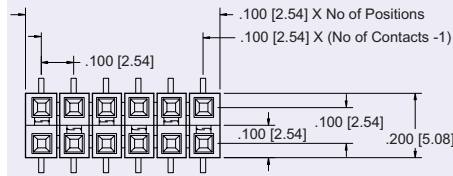


Specifications

Current Rating: 3 Amps
 Insulator Resistance: 5000 Megohms min
 Contact Resistance: 20m ohms max
 Dielectric Withstanding: AC 1000V
 Operating Temperature: -40° ~± 105° C
 Contact Material: Phosphor Bronze
 Insulator Material: Polyester, UL 94V-0, PBT
 Finish: See Contact Plating



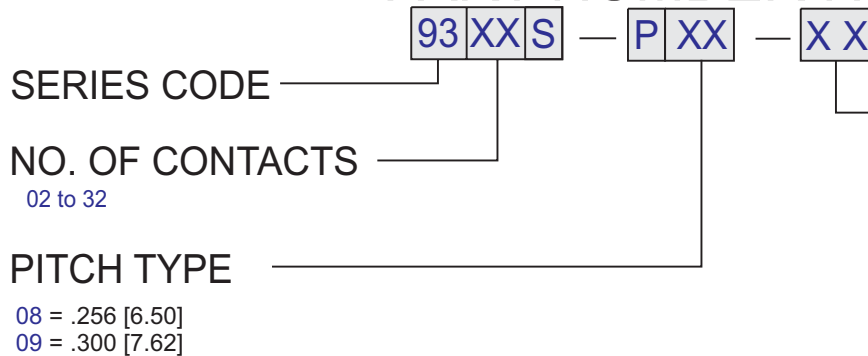
Recognized under the recognized component Program of Underwriters Laboratories, Inc.
 Products specifications are subject to be changed without notice.



Recommended P.C.B Layout

Dimensions are in inches [mm]

PART NUMBERING



CONTACT PLATING

Lead Free & RoHS Compliant

.000050" Nickel underplate
 CONTACT TAIL

- 03 = Gold Flash
- 80 = 10µ" Gold
- 85 = 15µ" Gold
- 90 = 30µ" Gold
- 70 = Tin Plated
- 75 = Au Flash
- 15 = 10µ" Au
- 25 = 15µ" Au
- 35 = 30µ" Au
- 100µ" Tin
- 100µ" Tin
- 100µ" Tin
- 100µ" Tin

CONSULT FACTORY FOR CONNECTORS BUILT TO YOUR DESIGN