

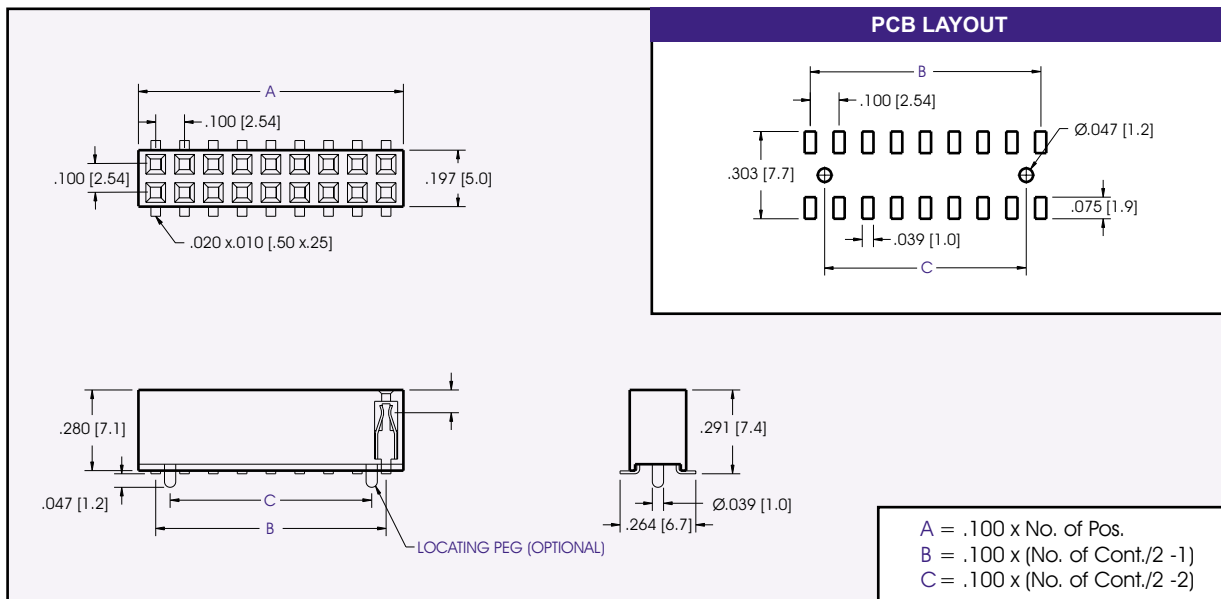
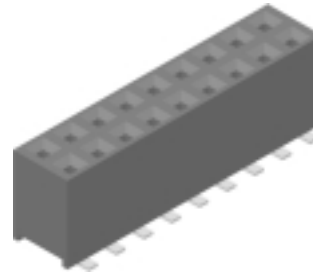


9300S Series Sockets

.100 x .100 SMT Strip Socket

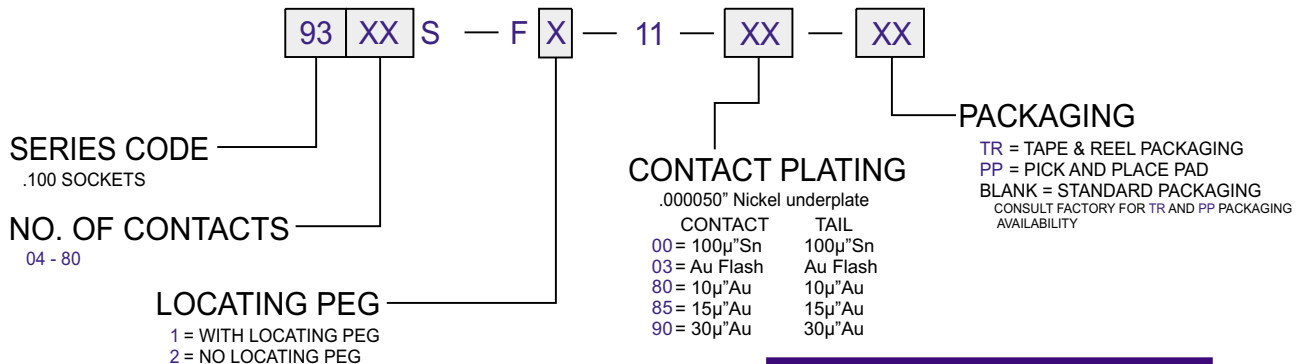
Specifications

Insulator Material: Glass filled polyester, Thermoplastic,
 94V-O Nylon-6T, UL Recognized.
 Contact Material: Phosphor Bronze
 Contact Plating: Gold or Tin over .000050" Ni
 (See contact plating options)
 Insulation Resistance: 5000 M ohms min.
 Dielectric Withstand Voltage: 1000 VAC
 Current Rating: 3 AMP
 Operating Temperature: -40°C To +105°C
 Contact Resistance: 20 m ohms max.
 Max Processing Temp.: 230°C for 60 seconds
 UL File Numbers: E146967 & E176234



DIMENSIONS ARE IN INCHES & [MM]

PART NUMBERING



SUGGESTED MATING CONNECTORS

93XXS-2X-XX-XX (PAGE F-37)
 93XXS-23-XX-XX (PAGE F-40)
 93XXS-24-XX-XX (PAGE F-41)