

# CARD EDGE CONNECTOR, COMPLIANT TAIL

## .125" X .125" CONTACT SPACING, DEC STYLE



### Specifications

Insulator Material: Glass filled polyester, type PBT, 94 V-O, UL Rated.

Contact Material: Phosphor Bronze Alloy

Contact Plating: Gold and/or Tin over .000050" Nickel, (See Contact Plating Options).

Current Rating: 3 amps at 30°C

Contact Resistance:

- Contact to Daughter Card: 10 m Ω max.
- Compliant section to P.T.H.: 2 m Ω max.

Insulation Resistance: 5000 M Ω min.

Dielectric Withstand Voltage: 1500 V AC

Daughter Board Insertion Force: 16 oz max. per contact pair when tested with a .071" thick gage.

Daughter Board Withdrawal Force: 1 oz min. per contact pair when tested with a .054" thick gage.

Compliant Section Insertion Force: 40 lbs max per contact

Compliant Section Withdrawal Force: 10 lbs min. per contact

Recommended Board Thickness: .093"+

Operating Temperature: -54°C to +125°C

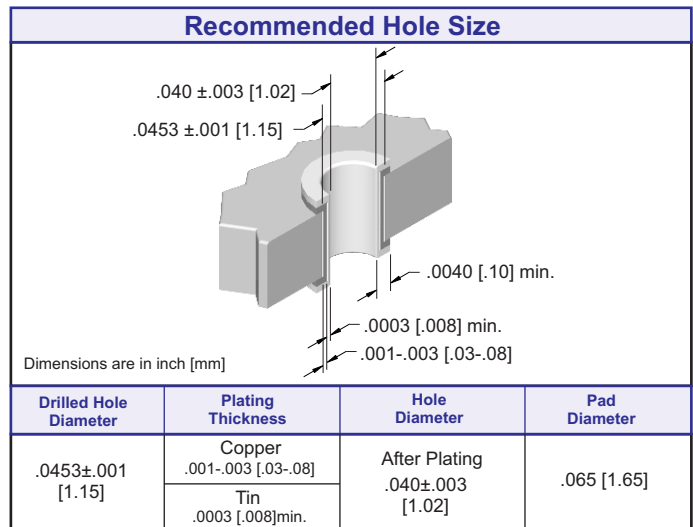
### Features

- Flat Plate Installation eliminates the need for secondary operation tooling which can damage the connector.
- Extra large chamfered entry
- Conforms to Bell-core spec TR-TSY-00078
- Extended card scoops available
- Replaceable contacts
- Molded in polarization available between contact, or on contact position.
- De-population of contacts per customer specification.
- Available in selective gold plate at contact point
- Many other custom options available, including, but not limited to:
  - Single or Both Ends Open
  - Shorting Contacts

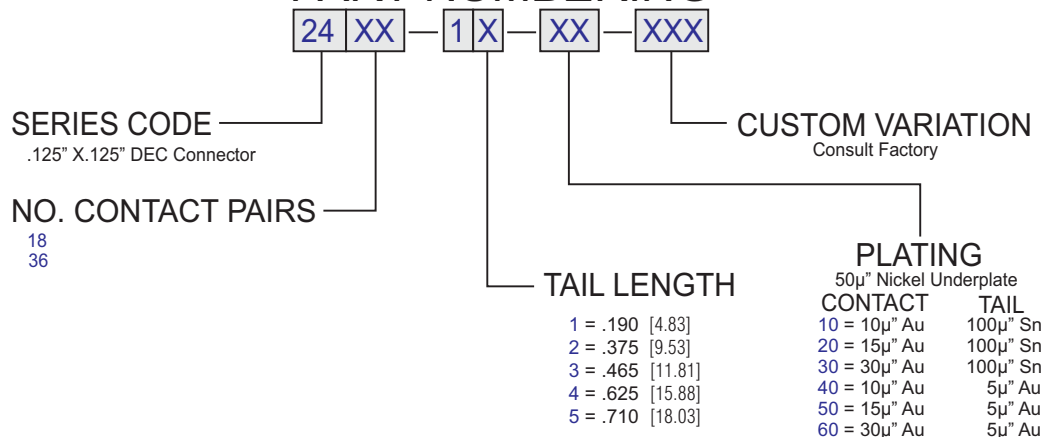
For drawings, technical data or samples, contact E.C.S. at (714) 750-9410



Recognized under the recognized component Program of Underwriters Laboratories, Inc.  
File Numbers: E176234



### PART NUMBERING



**.125" x .125" Contact Spacing, DEC Style**

