

NOTES:

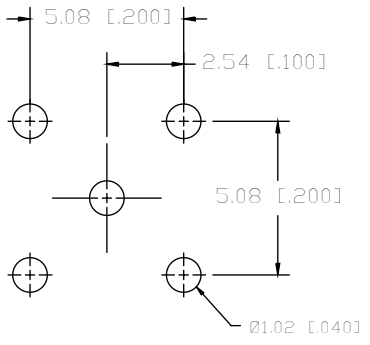
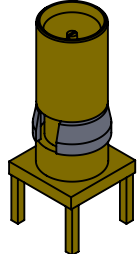
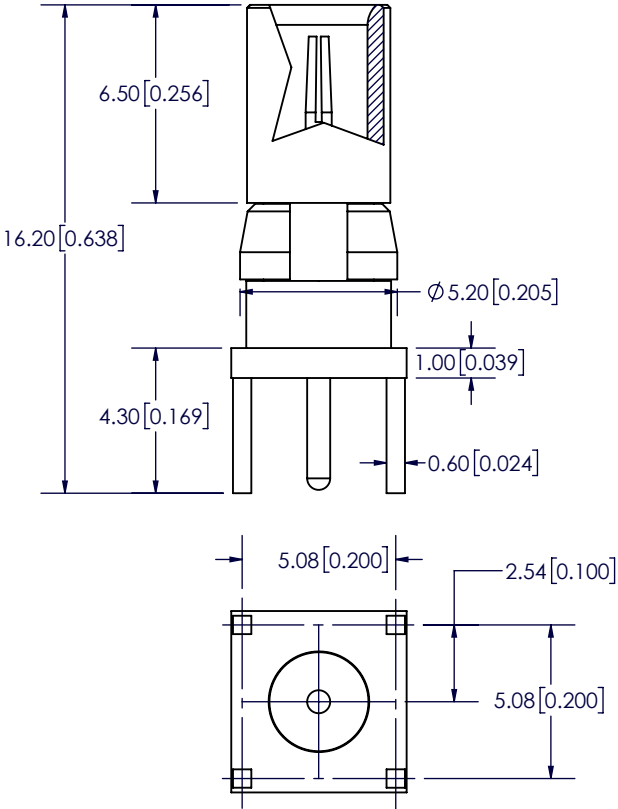
Electrical characteristics:
 Characteristic impedance: 50 ohms
 Frequency range: 0...2GHz
 VSWR: at 500 MHz : ≤ 1.22
 Insulation resistance: $\sim 10^7$ Mega ohms
 Test voltage: 750 V rms
 Max. contact current: 2A

Contact resistance
 inner conductor: ≤ 2.7 m ohms
 outer conductor: ≤ 2.7 m omhs

Mechanical characteristics:
 Connecting operations: ≥ 500
 Contact forces:
 Mating force: max. 10N
 Unmating force: Inner conductor : min. .2N
 Outer conductor: min. .7N

Enviromental:
 Temperature range: $-55^{\circ}\text{C} \pm 125^{\circ}\text{C}$

Materials:
 Outer conductor: Cu Alloy
 Inner conductor: Cu Alloy
 Retaining Clip: Cu Alloy
 Insulators: PTFE / PBT / PI



PCB LAYOUT

REV.	DATE	CHK	DESCRIPTION

ECS
 www.ecsconn.com
 Email: custsvc@ecsconn.com
 Orange County, California

THIS DRAWING IS SUBJECT TO CHANGE WITHOUT NOTICE		DRAWN BY: AA	DATE 06.07.04	DESCRIPTION
DIMENSIONS: mm [inch]	UNLESS OTHERWISE SPECIFIED: TOLORANCE: .00" \pm .008" .000" \pm .003"	CHECKED BY: BR	DATE 06.07.04	50 OHM COAX CONTACT, PLUG
THIS DRAWING AND SPECIFICATIONS HEREIN, ARE THE PROPERTY OF ECS, AND SHALL NOT BE REPRODUCED OR COPIED OR USED IN WHOLE OR IN PART AS THE BASIS FOR THE MANUFACTURE OR SALE OF ITEMS WITHOUT WRITTEN CONSENT OF ECS.		APPROVED BY: BR	DATE 06.07.04	
SIZE A	DWG / PART NUMBER 55-2P-211-1			REV. A
SCALE NONE	PATH \\ECS\ENGINEERING PRINTS\5500 CONTACTS\			SHEET 1 OF 1