

NOTES:

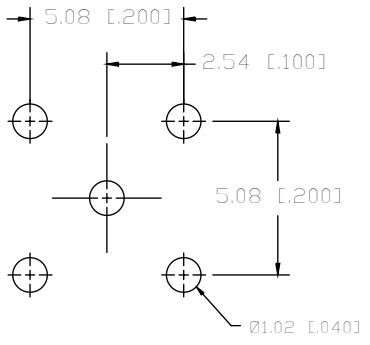
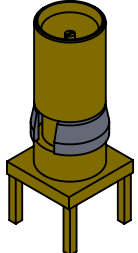
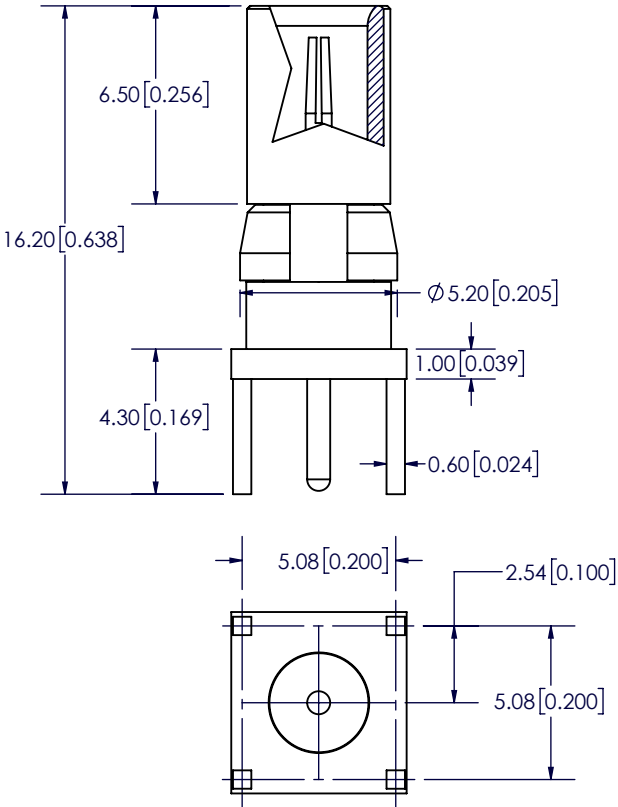
Electrical characteristics:  
 Characteristic impedance: 75 ohms  
 Frequency range: 0...2GHz  
 VSWR: at 500 MHz :  $\leq 1.22$   
 Insulation resistance:  $10^7$  Mega ohms  
 Test voltage: 750 V rms  
 Max. contact current: 2A

Contact resistance  
 inner conductor:  $\leq 2.7$  m ohms  
 outer conductor:  $\leq 2.7$  m ohms

Mechanical characteristics:  
 Connecting operations:  $\geq 500$   
 Contact forces:  
 Mating force: max. 10N  
 Unmating force: Inner conductor : min. .2N  
 Outer conductor: min. .7N

Environmental:  
 Temperature range:  $-55^{\circ}\text{C} \pm 125^{\circ}\text{C}$

Materials:  
 Outer conductor: Cu Alloy  
 Inner conductor: Cu Alloy  
 Retaining Clip: Cu Alloy  
 Insulators: PTFE / PBT / PI  
 Plating: Gold



PCB LAYOUT

REV.	DATE	CHK	DESCRIPTION

**ECS**  
 www.ecsconn.com  
 Email: [custsvc@ecsconn.com](mailto:custsvc@ecsconn.com)  
 Orange County, California

THIS DRAWING IS SUBJECT TO CHANGE WITHOUT NOTICE		DRAWN BY: AA	DATE 06.19.01	DESCRIPTION
DIMENSIONS: mm [inch]	UNLESS OTHERWISE SPECIFIED: TOLERANCE: .00" ±.008" .000" ±.003"	CHECKED BY: BR	DATE 06.19.01	75 OHM COAX CONTACT, PLUG
THIS DRAWING AND SPECIFICATIONS HEREIN, ARE THE PROPERTY OF ECS, AND SHALL NOT BE REPRODUCED OR COPIED OR USED IN WHOLE OR IN PART AS THE BASIS FOR THE MANUFACTURE OR SALE OF ITEMS WITHOUT WRITTEN CONSENT OF ECS.		APPROVED BY: BR	DATE 06.09.01	
SIZE A	DWG / PART NUMBER 55-3P-301-1			REV. A
SCALE NONE	PATH \\ECS\ENGINEERING PRINTS\5500 CONTACTS\			SHEET 1 OF 1