

2.0mm HM Type L Vertical Male



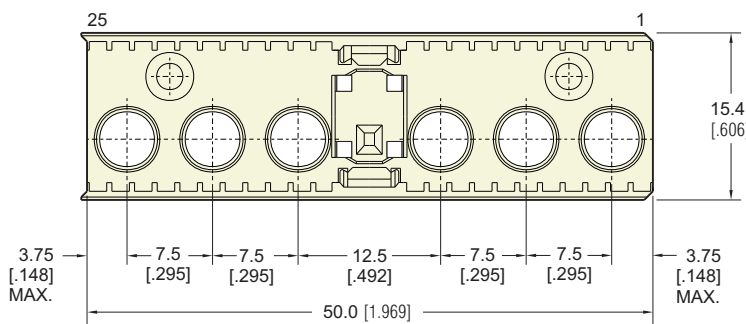
Type L, Vertical Male

The **E-Z met™** Type L, vertical male connector provides the user with 6 multi-purpose cavities for use with high power or coax contacts. This connector also features an additional multi-function cavity for coding. For Coaxial, High Power, and High Current Contacts, Please click link below.

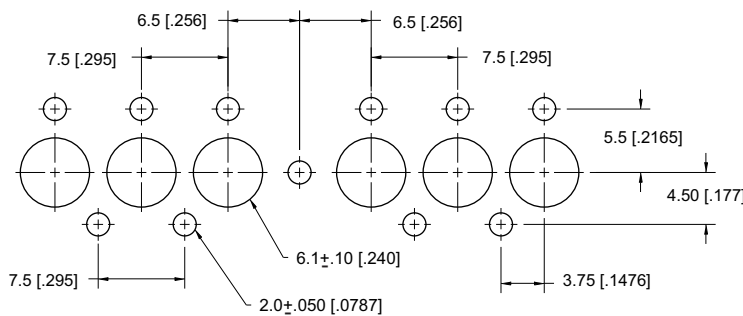
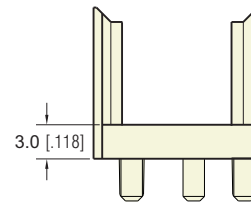
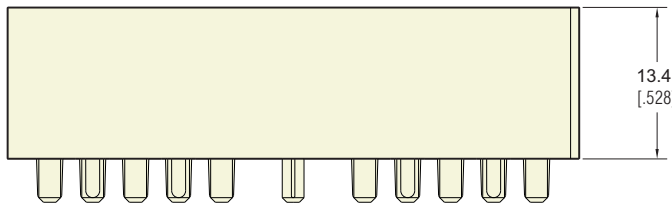
SPECIFICATION

1. Insulator Material: PBT 30% Glass filled UL 94 V-O
2. IEC 61076-4-101 Standard

Coaxial, High Power, and High Current Contacts



Part Number
70-00-L6-1001



P.C. BOARD LAYOUT

