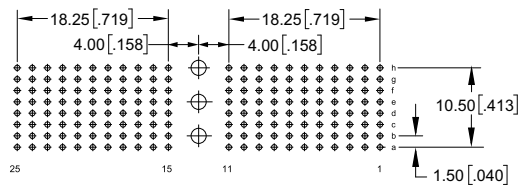
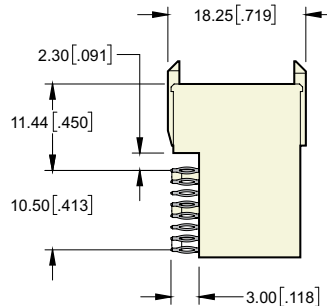
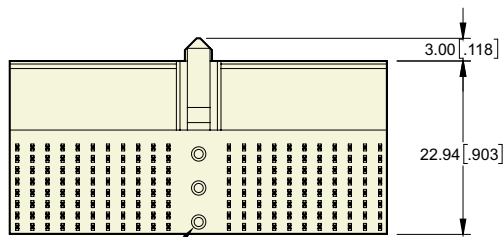
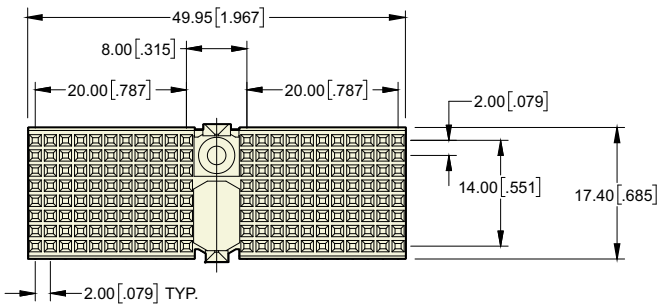


2.0 mm HM Type D-25 Right Angle Female



SPECIFICATION

1. Insulator Material: PBT 30% Glass filled UL 94 V-O
2. Contact Material: Copper Alloy
3. Shield Material: Copper Alloy
4. Contact Plating:
 - Contact Area: Gold
 - Compliant Area: Matte Tin
 - Performance: Class 1: 500 cycles
 - Class 2: 250 cycles
6. Shield Plating:
 - Contact Area: Gold
 - Compliant Area: Matte Tin
7. Temperature Range: -55 C to +125 C
8. Contact Resistance: 20 M Ohm Max.
9. Insulation Resistance: 10⁴ M Ohm Max.
10. Working Current: 1.5 ADC (Signal)
11. Test Voltage: AC 750 V Min.
12. Compliant Section:
 - Insertion Force: 100 N per contact Max.
 - Withdrawal Force: 20 N per contact Min.
13. Mating Force: .75 N per pin Max.
14. Withdrawal Force: .15 N per pin Max.
15. PCB Hole Size Requirements:
 - Drilled Hole Diameter: 0.7 ± 0.02mm
 - Finished Hole Diameter: 0.6 ± 0.05mm
16. Recommended PCB Thickness: 1.6mm Min.
17. IEC 61076-4-101 Standard



BOARD LAYOUT

PART NUMBERING



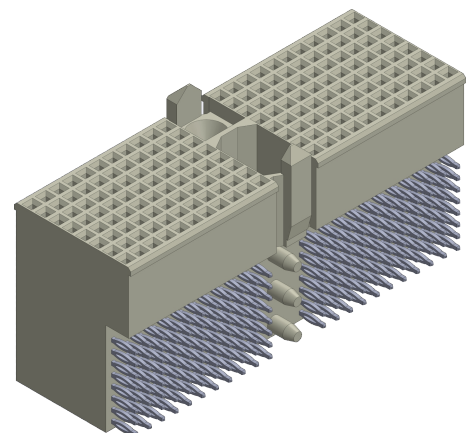
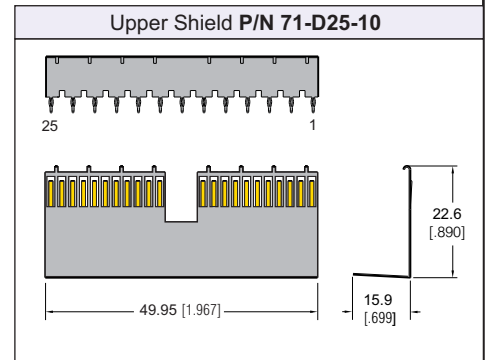
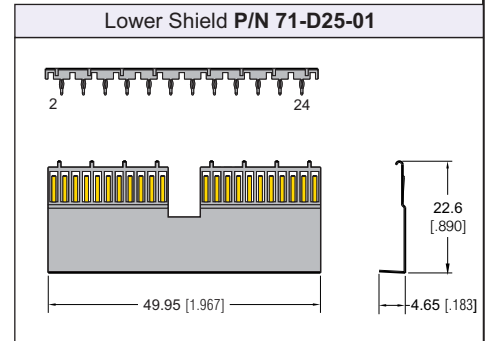
SERIES CODE
2mm Hard Metric Female

TYPE
D25

MOUNTING PEG
1= Without Peg
Blank = With Peg

UPPER SHIELD
0 = Without Upper Shield
1 = With Upper Shield

CONTACT LOADING
1 = A, B, C, D, E, F, G, H



Dimensions are in mm [inch]