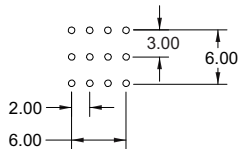
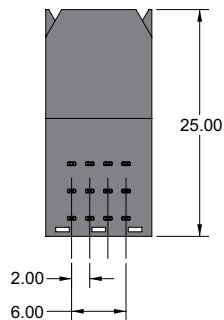
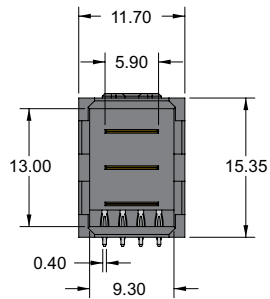


# 2mm HDM Male Connector, Power Contacts, Right Angle

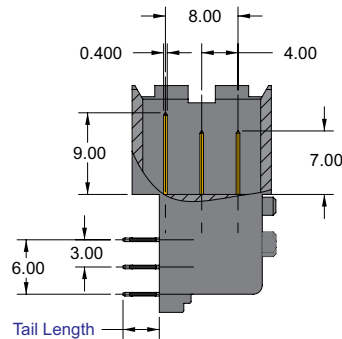


## SPECIFICATION

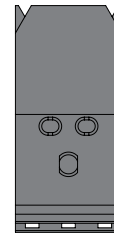
- Housing: liquid crystal polymer (LCP), glass-filled polymer, UL 94V-O, color black
- Contact: Copper alloy C110
- Plating: Contact Area: Gold over Nickel  
Tail Area: Gold or Matte Tin over Nickel
- Operating Temperature: -55 to 105°C
- Operating Voltage, Sea Level: 1000 volts rms at 60 hertz
- Current: 15.0A per contact at 70° C (fully loaded).
- Contact Insertion Force: 1.6 OZ. [0.45 N] typical per contact
- Contact Withdrawal Force: 0.54 OZ. [0.15 N] min. per contact
- Insulation Resistance: 1000 Megohms min.
- Dielectric Withstanding Voltage: 1000V
- Recommended Holes Size: Ø1.20 recommended pad  
Ø0.80-Ø0.65 plated thru hole  
Ø0.838 drilled hole



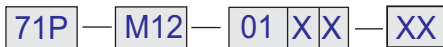
PCB LAYOUT



Tail Length



## PART NUMBERING



### TAIL TYPE

- 1 = SOLDER
- 2 = PRESS FIT

### TAIL LENGTH

- 1= 2.5 solder
- 2= 3.0 solder
- 3= 3.5 solder
- 4= 4.0 solder or press-fit

### PLATING

50µ" Nickel Underplate

Mating Area	Tail
00 = 100µ" Tin	100µ" Tin
03 = Flash Au	Flash Au
05 = Flash Au	100µ" Tin
20 = 15µ" Gold	100µ" Tin
30 = 30µ" Gold	100µ" Tin
60 = 30µ" Gold	Flash Au

