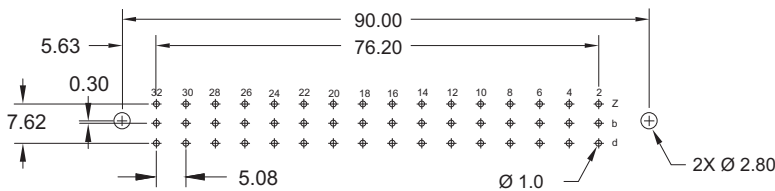
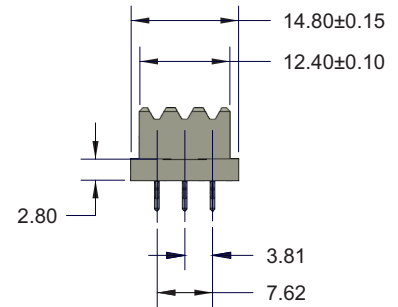
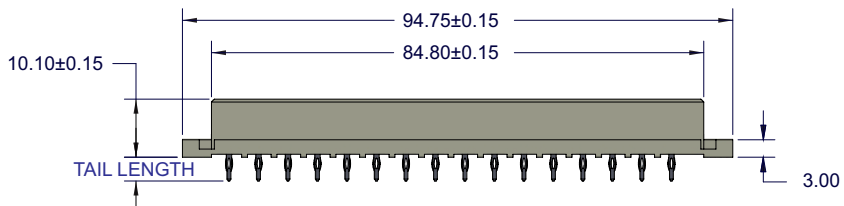
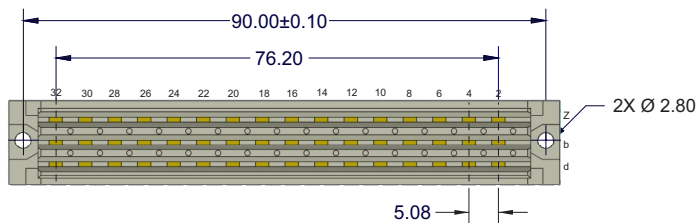
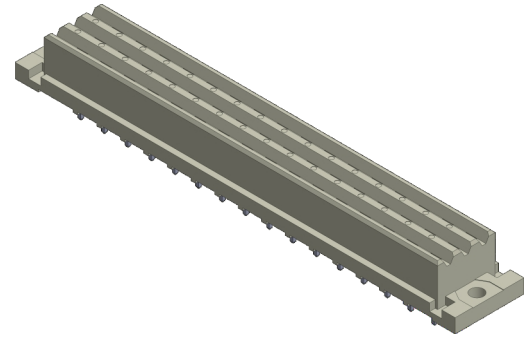


# DIN 41612 TYPE F VERTICAL FEMALE, LOW PROFILE



## Specifications

1. Insulator Material: Thermoplastic, 94 V-O, UL Rated, color natural
2. Contact Material: Copper Alloy
3. Contact Plating: see part number system below
4. Current Rating: Ambient temp.= 20°C @ 5.5A, 70°C @ 4.0A, 100°C @ 2.5A
5. Contact Resistance: < 15 mΩ
6. Insulation Resistance: > 10<sup>6</sup> MΩ
7. Dielectric Strength: 1550V rms
8. Operating Temperature: -55°C to +125°C
9. IEC 60603-2 Connector



Recommended P. C. Board Layout

## PART NUMBERING



### TOTAL CONTACT

- 1= 16
- 2= 32
- 3= 48

### CONTACT ARRANGEMENT

- 1 = Row D, B, Z fully populated
  - 2 = D, B Load
  - 3 = D, Z Load
  - 4 = B, Z Load
- Consult Factory for other Loading Options

### TAIL LENGTH

- 1 = 4.50 (0.6 X 0.6 post) Solder
- 2 = 4.50 (0.6 X 0.6 post) Press-Fit

### TAIL PLATING

- 1 = Tin
- 2 = Gold flash
- 3 = Gold plate 30μ"
- 4 = Gold plate 15μ"

### MATING AREA PLATING

- 1 = Class 1
- 2 = Class 2
- 3 = Class 3