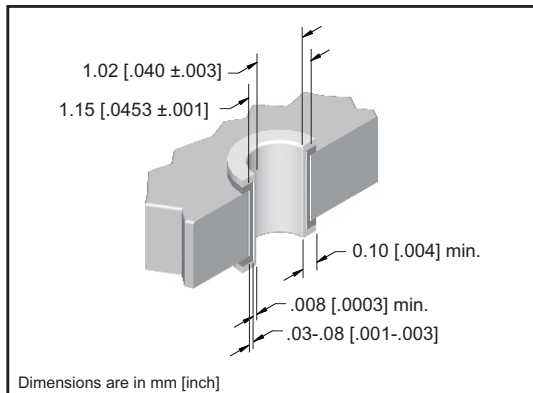


Type RD, 4 Row Right Angle Female DIN

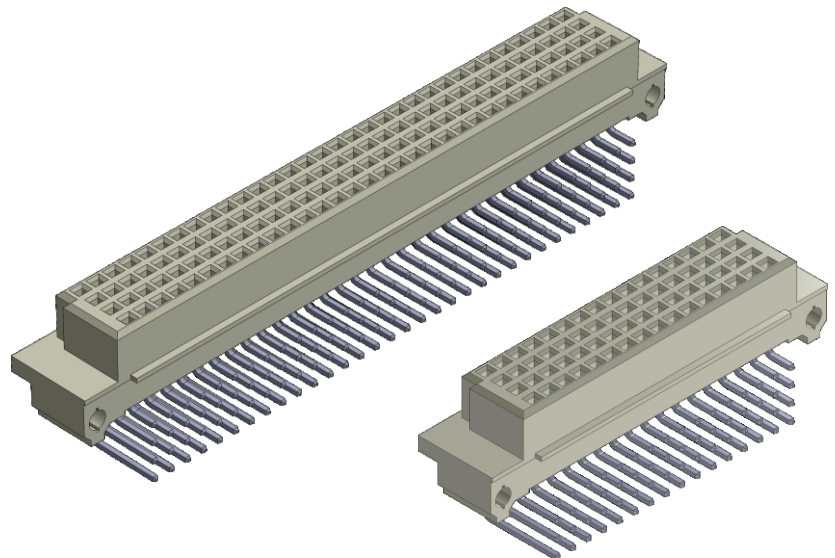


DIN 41612 SPECIFICATION

Temperature Range	-55°C to +125°C		
Insulator Material	PBT 30% Glass Filled UL 94 V-0 Rated		
Contact Material:	Copper Alloy		
Contact Plating / Performance	Level 1	≥ 500 Mating Cycles	
	Level 2	≥ 400 Mating Cycles	
Per DIN 41612	Level 3	≥ 50 Mating Cycles	
Contact Resistance	≤ 20m Ω		
Insulation Resistance	≥ 10 ¹² m Ω at 100 VDC		
Dielectric Strength	≤ 1000 VDC		
Current Range at Ambient Temp. Of	+20C	3.0 Amp	
	+70C	2.0 Amp	
	+100C	1.0 Amp	
Insertion Force (N)	20 contacts @ ≤18	48 contacts @ ≤45	128 contacts @ ≤100
	30 contacts @ ≤28	64 contacts @ ≤60	
	32 contacts @ ≤30	96 contacts @ ≤90	
Withdrawal Forces Per Contact (N)	> .15		



DRILLED HOLE DIAMETER	PLATING THICKNESS	HOLE DIAMETER	PAD DIAMETER	
1.15 [.0453]	Copper .03-.08 [.001-.003]	After Plating .040±.003	1.65 [.065]	
	Tin .008 [.0003]min.			



APPROVALS



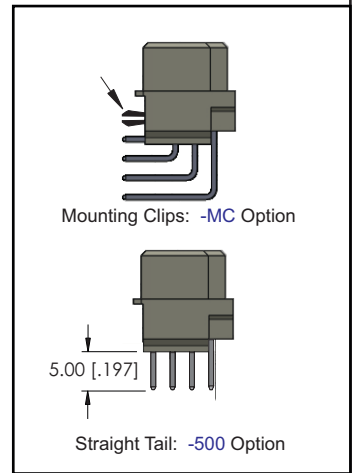
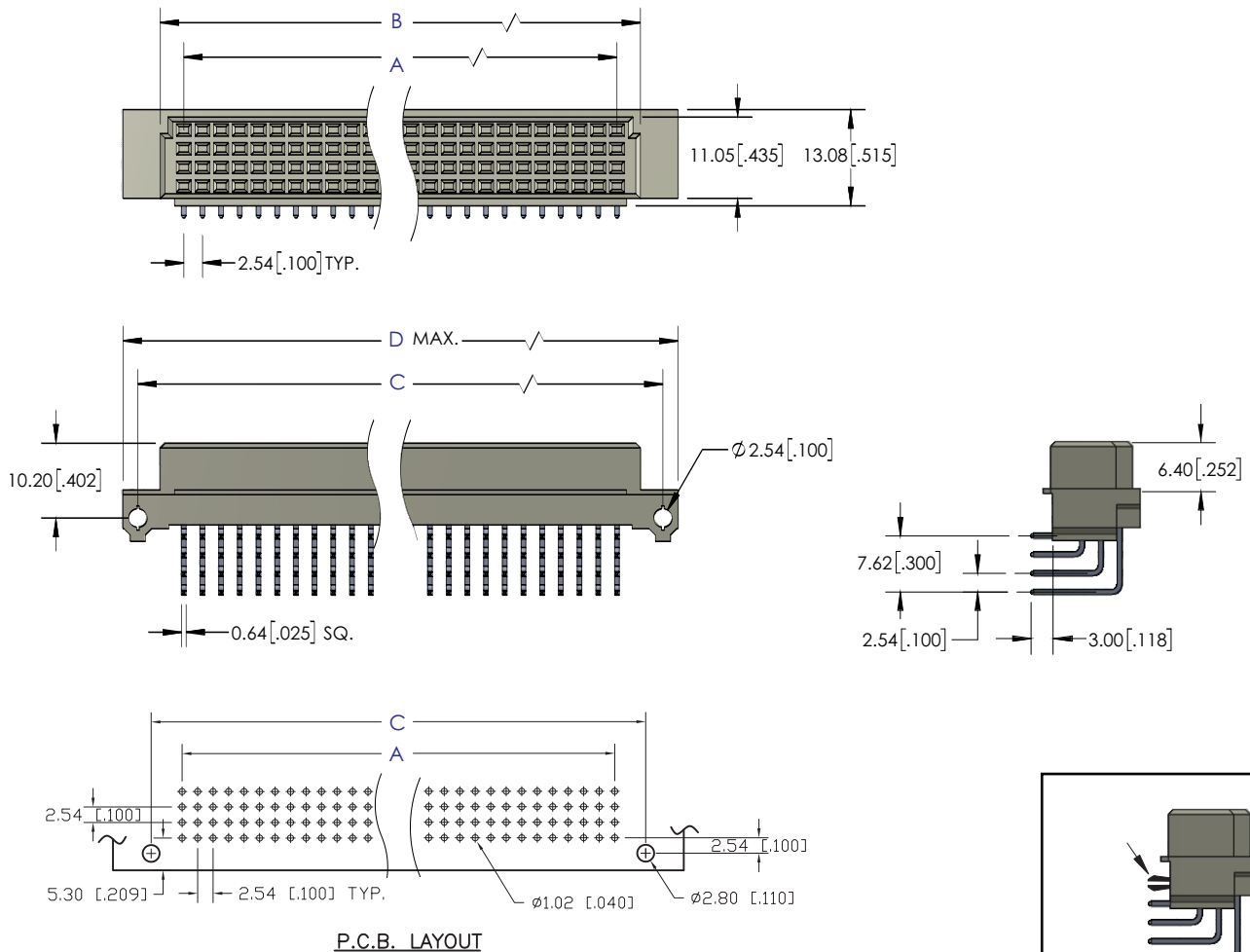
Recognized under the recognized component Program of Underwriters Laboratories, Inc.
File Numbers: E176234

IEC 60603-2 Standard

Bellcore GR 1217 CORE

Connectors are available that meet the requirements of Bellcore GR 1217-CORE. Please consult factory for ordering information.

Type RD, 4 Row Right Angle Female DIN



CONTACTS	A	B	C	D
64	38.10 [1.500]	44.60 [1.756]	48.26 [1.900]	54.00 [2.126]
128	78.74 [3.100]	85.20 [3.354]	88.90 [3.500]	94.00 [3.700]

Consult Factory for other Contact Positions

PART NUMBERING

52 - XX1 - 8XX - XXX

SERIES CODE
DIN 41612 Type RD, 4 ROW

BODY STYLE
1 = CD/2 (64 positions)
2 = CD (128 positions)

NUMBER OF CONTACTS
4 = 64
6 = 128

CONTACT ARRANGEMENT
1 = Row A, B, C, D fully populated
Consult Factory for other Loading Options

Blank = No Mounting Clip
MC = Mounting Clip
500 = Straight Tail

TAIL PLATING

1 = Tin
2 = Gold flash (.200" from pin tip)
3 = Gold plate 30 μ " thick min. (.200" from pin tip)

MATING AREA PLATING

1 = Class 1
2 = Class 2
3 = Class 3