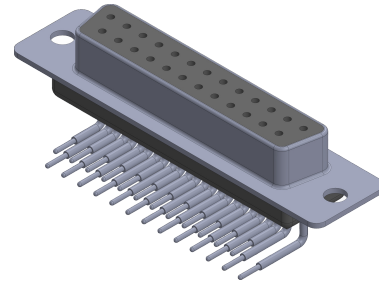
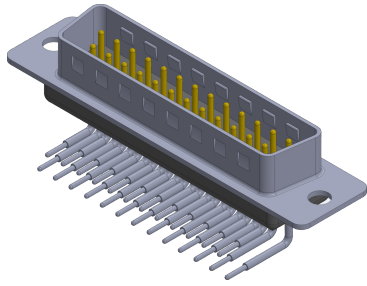
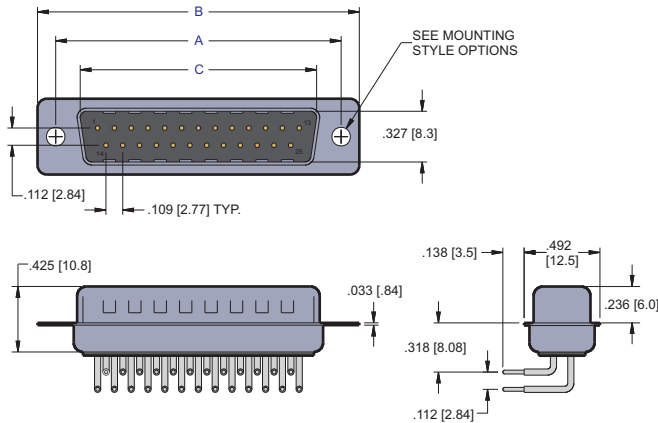


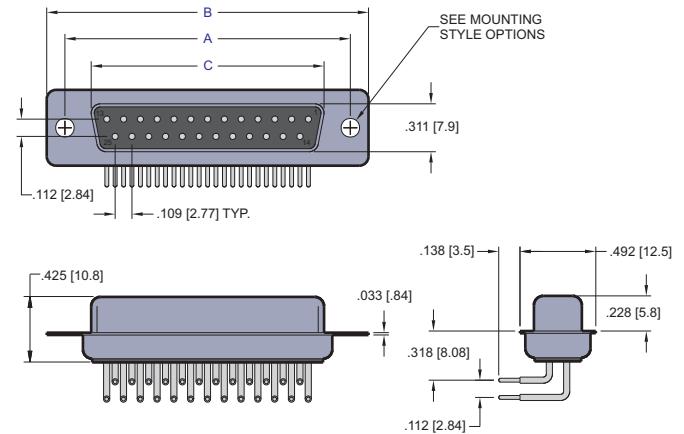
8000 D-Subminiature, 0.318" [8.08] Right Angle with Machined Contacts



PLUG



RECEPTACLE



PLUG

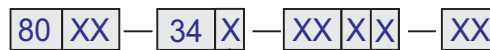
CONTACTS	A	B	C
09	0.984 [25.00]	1.213 [30.80]	0.666 [16.92]
15	1.312 [33.32]	1.543 [39.20]	0.994 [25.25]
25	1.852 [47.04]	2.091 [53.10]	1.534 [38.96]
37	2.500 [63.50]	2.732 [69.40]	2.182 [55.42]

Dimensions are in inches [mm]

RECEPTACLE

CONTACTS	A	B	C
09	0.984 [25.00]	1.213 [30.80]	0.642 [16.30]
15	1.312 [33.32]	1.543 [39.20]	0.969 [24.60]
25	1.852 [47.04]	2.091 [53.10]	1.508 [38.30]
37	2.500 [63.50]	2.732 [69.40]	2.157 [54.80]

PART NUMBERING



SERIES CODE

NO. OF CONTACTS

09, 15, 25, 37

CONNECTOR TYPE

P = Plug
S = Receptacle

MOUNTING STYLE OPTIONS

01 = .120 Riveted Front and Rear Shell
09 = Riveted Ground Tabs with #4-40 UNC Open
11 = Assembly Ground Hooks By #4-40 UNC Hex Screws
Consult Factory for Other Mounting Options

CONTACT PLATING

50 μ " Nickel Underplate
Mating Area Tail
03 = Gold Flash Gold Flash
85 = 15 μ " Gold 15 μ " Gold
90 = 30 μ " Gold 30 μ " Gold

SHELL PLATING

50 μ " Nickel Underplate
1 = Tin Plating (standard)
2 = Yellow Chromate

INSULATOR COLOR

1 = Black (standard)
2 = White