



8100 Series D-Subminiature Dual Port Connector

SPECIFICATIONS

Insulator Material: Glass filled polyester, type PBT, 94 V-O, UL Rated.
 Contact Material: Brass or Phosphor Bronze Alloy
 Contact Plating: Gold and/or Tin over .000050" Nickel, (See Contact Plating Options).
 Shell: Steel, 100µ" Tin over 50µ" min. Nickel.
 Clinch Nut: Brass, 100µ" min. Nickel Plated.
 Boardlock: Brass, 100µ" min. Nickel Plated.
 Screwlock: Brass, 100µ" min. Nickel Plated.
 Current Rating: 3 amp at 30°C
 Voltage Rating: 250 VAC/rms 60Hz
 Contact Resistance: 20 m Ω max. At 1AMP DC.
 Insulation Resistance: 1000 M Ω at 500 VDC.
 Dielectric Withstand Voltage:
 1500 V AC/rms 60Hz for 1 minute.



Recognized under the recognized component Program of Underwriters Laboratories, Inc.
 File Numbers: E146967 and E176234

CONTACT POSITIONS	A	B	C	D
09 Plug	.666 [16.92]	.984 [25.00]	1.213 [30.80]	.329 [8.36]
15 Plug	.994 [25.25]	1.312 [33.32]	1.543 [39.20]	
25 Plug	1.534 [38.96]	1.852 [47.04]	2.091 [53.10]	
37 Plug	2.182 [55.42]	2.500 [63.50]	2.732 [69.40]	.311 [7.90]
09 Rec.	.642 [16.30]	.984 [25.00]	1.213 [30.80]	
15 Rec.	.969 [24.60]	1.312 [33.32]	1.543 [39.20]	
25 Rec.	1.508 [38.30]	1.852 [47.04]	2.091 [53.10]	
37 Rec.	2.157 [54.80]	2.500 [63.50]	2.732 [69.40]	

Dimensions are in inch [mm]

STACK HEIGHT	E	F
1	0.625 [15.88]	1.119 [28.42]
2	0.750 [19.05]	1.244 [31.60]
3	0.900 [22.86]	1.394 [35.41]

PART NUMBERING

81XX - XXX - XXXXX - XX

SERIES NO.

CONTACT TYPE (top)

1= 9
 2= 15
 3= 25
 4= 37

CONTACT TYPE (bottom)

1= 9
 2= 15
 3= 25
 4= 37

CONNECTOR TYPE

1= Plug / Plug
 2= Plug / Receptacle
 3= Receptacle / Receptacle
 4= Receptacle / Plug

STACK HEIGHT

DIMENSION "E"
 1= 0.625" [15.88 mm]
 2= 0.750" [19.05 mm]
 3= 0.900" [22.86 mm]

CONNECTOR VERSION

1= Dual Port

CONTACT PLATING

Mating	Tail
03= Gold Flash	Gold Flash
05= Gold Flash	100µ" SnPb
10= 10µ" Au	100µ" SnPb
20= 15µ" Au	100µ" SnPb
30= 30µ" Au	100µ" SnPb

SHELL PLATING

1= Tin (Standard)
 2= Nickel
 3= Chromate

INSULATOR COLOR

1= Black (Standard)
 2= Blue
 3= White

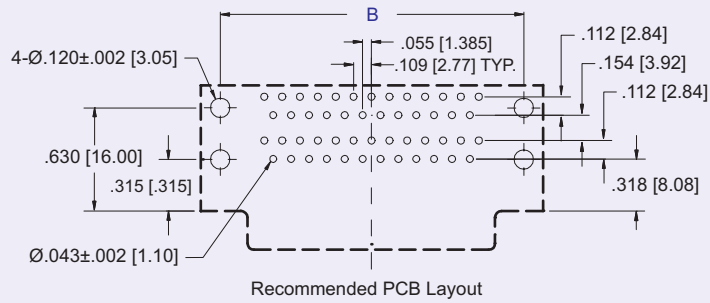
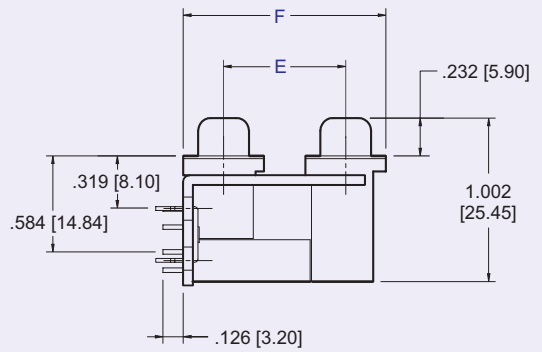
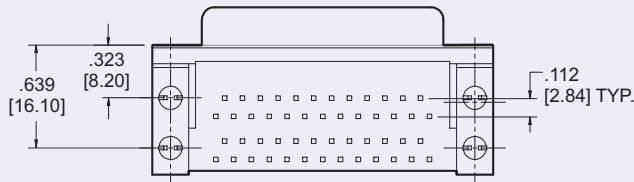
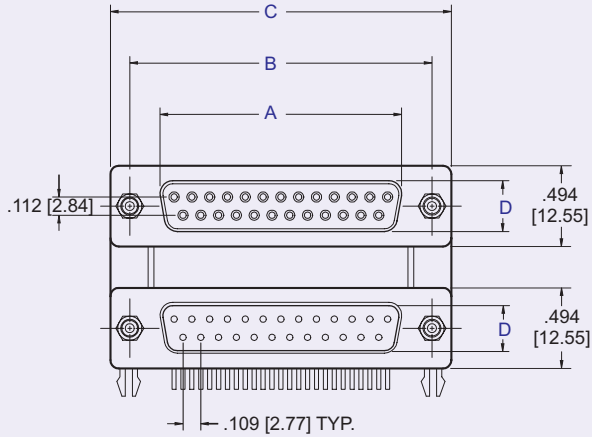
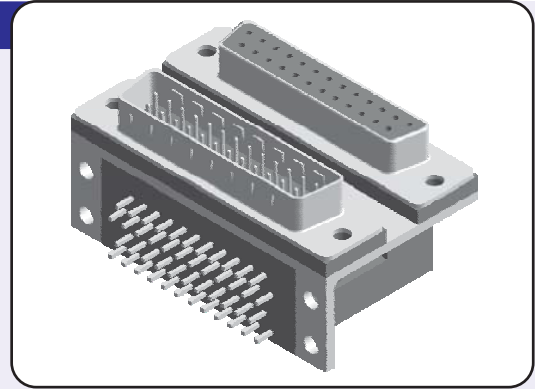
BOARD MOUNTING OPTIONS

1= L-Shape Support
 2= Dual Arrowhead Boardlock
 3= Quad Arrowhead Boardlock

FLANGE MOUNTING OPTIONS

1= ø .120" [3.05 mm] Hole
 2= #4-40 Threaded Hole
 3= #4-40 Threaded Hole With #4-40 UNC Screwlock Installed
 4= #4-40 Threaded Hold With #4-40 UNC Screwlock Bulk-Packed
 5= M3 Thread Hole
 6= M3 Thread Hole With M3 Screwlock Installed
 7= M2.6 Thread Hole
 8= M2.6 Thread Hole With M2.6 Screwlock Installed

DUAL PORT D-SUB CONNECTOR



FLANGE MOUNTING STYLES

CONSULT FACTORY FOR CONNECTORS BUILT TO YOUR SPECIFICATION