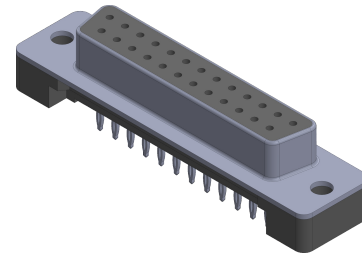
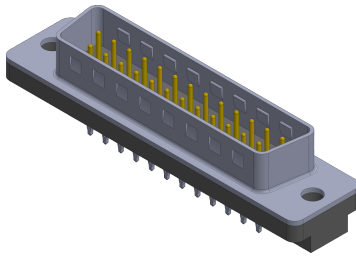
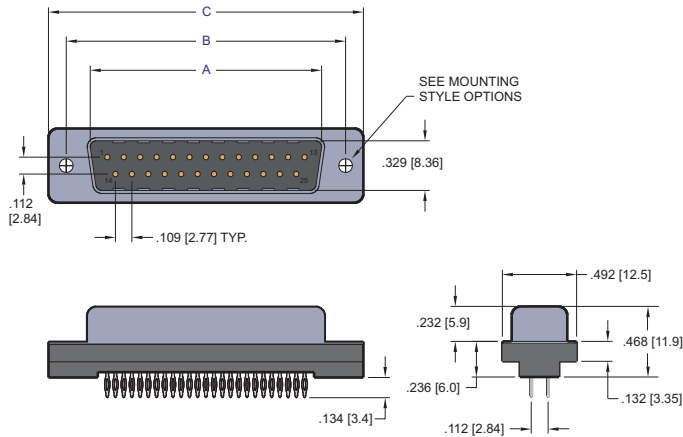


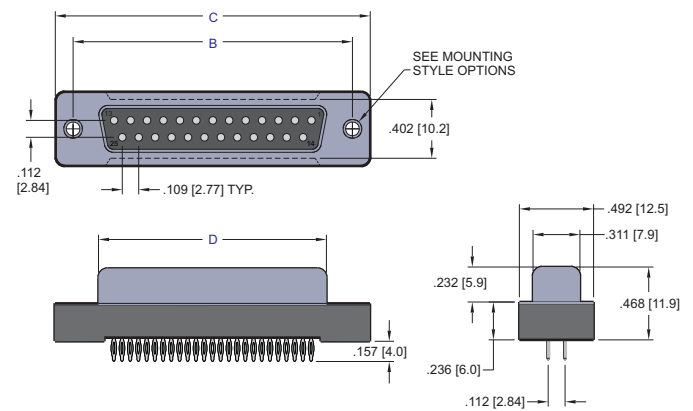
# 8000 D-Subminiature, Vertical Press-Fit



## PLUG



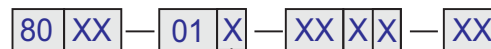
## RECEPTACLE



NO. OF CONTACTS	A	B	C	D
09	0.666 [16.92]	0.984 [25.00]	1.213 [30.81]	0.642 [16.33]
15	1.004 [25.50]	1.312 [33.32]	1.541 [39.14]	0.969 [24.66]
25	1.534 [38.96]	1.852 [47.04]	2.088 [53.04]	1.508 [38.38]
37	2.182 [55.42]	2.500 [63.50]	2.729 [69.32]	2.157 [54.84]

Dimensions are in inches [mm]

## PART NUMBERING



SERIES CODE

NO. OF CONTACTS

09, 15, 25, 37

CONNECTOR TYPE

P = Plug  
S = Receptacle

MOUNTING STYLE OPTIONS

00 = .120 dia. Thru Holes  
02 = #4-40 Threaded Insert  
03 = #4-40 Threaded Insert with # 4-40 UNC Screw Lock  
15 = #4-40 Threaded Insert with Board Lock  
16 = #4-40 Screw Lock with Board Lock  
Consult Factory for other Mounting Options

CONTACT PLATING

50 $\mu$ m Nickel Underplate  
Mating Area Tail  
05 = Au Flash 100 $\mu$ m Tin  
20 = 15 $\mu$ m Gold 100 $\mu$ m Tin  
30 = 30 $\mu$ m Gold 100 $\mu$ m Tin

SHELL PLATING

.000050 nickel underplate  
1 = Tin Plating (standard)  
2 = Yellow Chromate

INSULATOR COLOR

1 = Black (Standard)  
2 = White  
3 = Blue