

Type R, R/2, R/3 Pinless Backplane Shroud



Specifications

Insulator Material: Glass filled polyester, type PBT,
94 V-O, UL Rated.
Insulation Resistance:
 10^{12} m Ohms
Dielectric Strength:
500 VDC (Sea Level)
Temperature Rating:
-55° C to 125° C

Features

- Interference Fit Mounting eliminates the need for additional Mounting Hardware.
- Shrouds are removable, facilitating field repairability.
- Eight sizes accommodate 3 wrap-post lengths used in a wide range of PCBs.
- Shroud retained on .61 - .64 [.024 - .025] square posts.

The pin less backplane shroud provides board-to board interconnections from the DIN type R or C connector to a second DIN connector interface.

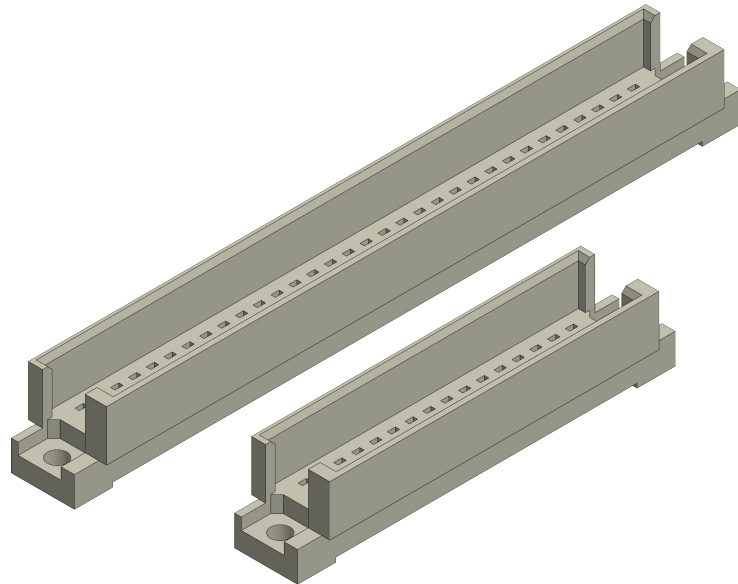
The shrouds accommodate a variety of extended contact lengths to provide a versatile, rear panel connection system.

APPROVALS



Recognized under the recognized component Program of Underwriters Laboratories, Inc.
File Numbers: E176234

IEC 60603-2 Standard



Bellcore GR 1217 CORE

Connectors are available that meet the requirements of Bellcore GR 1217-CORE. Please consult factory for ordering information.

PART NUMBERING

61 - X - XXX - X

SERIES CODE
41612 Type R, R/2, R/3 Shroud

COLOR
B = Black
G = Gray / Natural

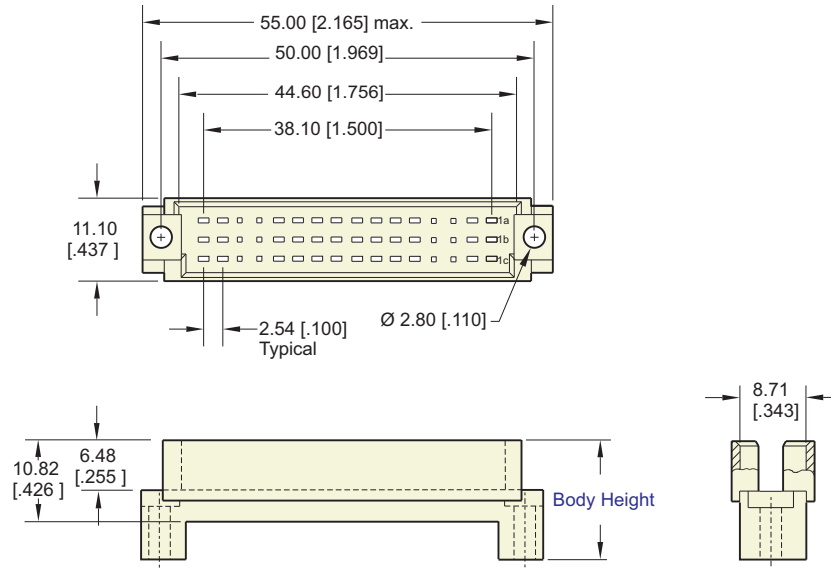
BODY STYLE
1 = R/3 (30 positions)
2 = R/2 (48 positions)
3 = R (96 positions)
4 = R extended (120 positions)
5 = R extended (150 positions)

BODY HEIGHT
350 = 08.89 [.350] 600 = 15.24 [.600]
450 = 11.43 [.450] 630 = 16.02 [.630]
500 = 12.70 [.500] 680 = 17.27 [.680]
550 = 13.97 [.550] 750 = 19.05 [.750]

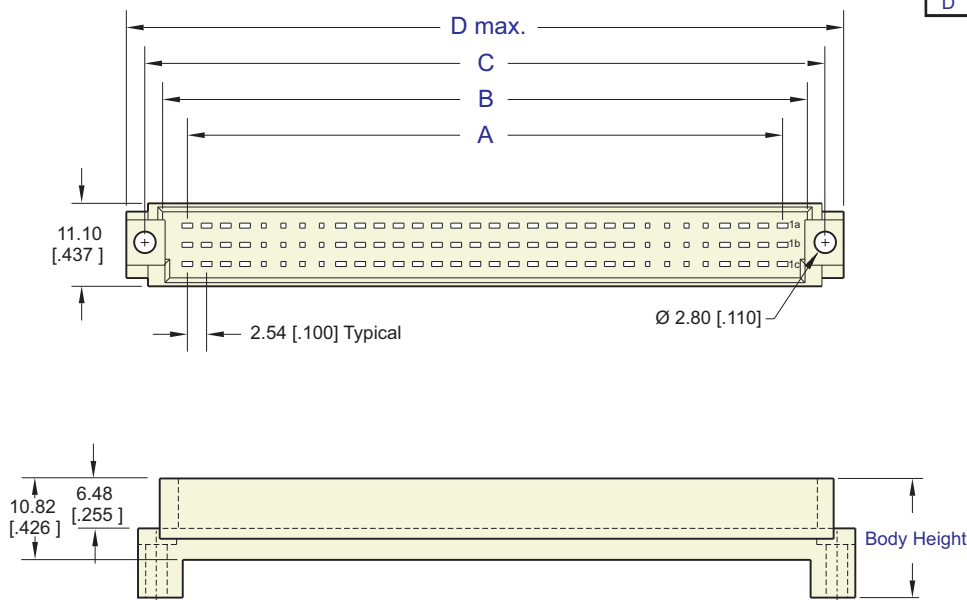
Type R, R/2, R/3 Pinless Backplane Shroud



Type R/2, 48 Positions



Type R and Extended R



Dim.	96 Contacts	120 Contacts	150 Contacts
A	78.74 [3.100]	99.06 [3.900]	124.46 [4.900]
B	85.20 [3.354]	105.51 [4.154]	130.91 [5.154]
C	90.00 [3.543]	110.31 [4.343]	135.71 [5.343]
D	95.00 [3.740]	115.32 [4.540]	140.72 [5.540]