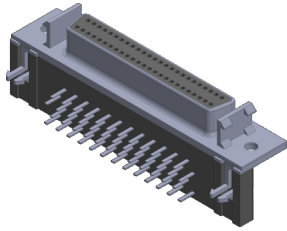
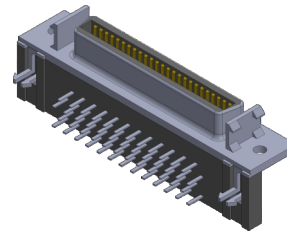


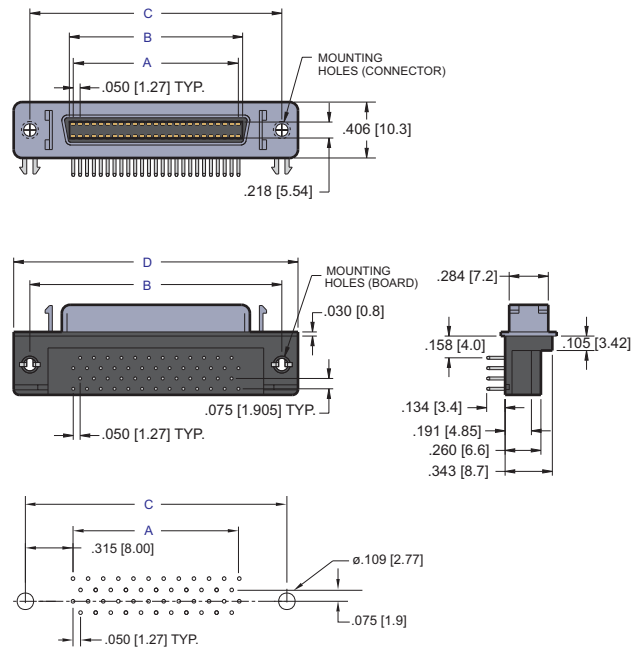
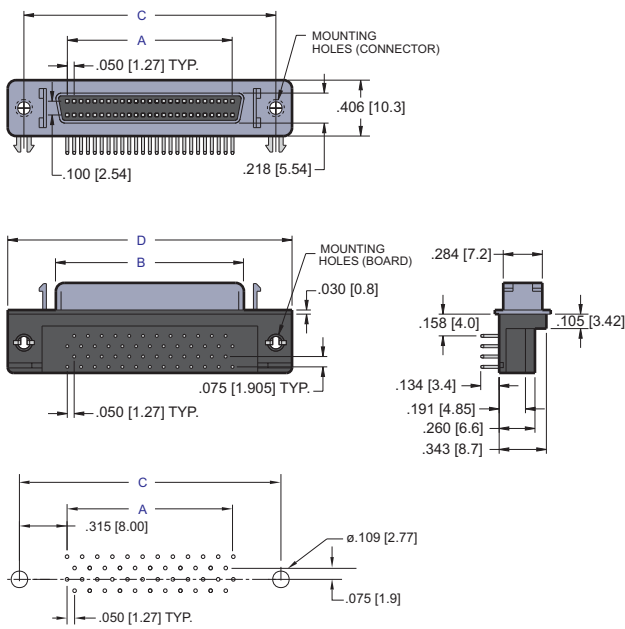
# 8000 SCSI, Right Angle Mount



TYPE 1 26, 50, 68 Positions



TYPE 2 26, 50, 68 Positions



CONTACTS	A	B	C	D
26	0.600 [15.24]	0.750 [19.06]	1.231 [31.26]	1.473 [37.41]
50	1.200 [30.48]	1.350 [34.30]	1.831 [46.50]	2.073 [52.65]
68	1.650 [41.91]	1.800 [45.73]	2.281 [57.93]	2.552 [64.80]

CONTACTS	A	B	C	D
26	0.600 [15.24]	0.765 [19.43]	1.231 [31.26]	1.473 [37.41]
50	1.200 [30.48]	1.365 [34.67]	1.831 [46.50]	2.073 [52.65]
68	1.650 [41.91]	1.815 [46.10]	2.281 [57.93]	2.552 [64.80]

## PART NUMBERING

80 XX - 51 X - XX XX - XX

SERIES CODE

NO. OF CONTACTS  
26, 50, 68

CONNECTOR TYPE  
S = Receptacle Type 1  
F = Receptacle Type 2

MOUNTING STYLE BOARD  
00 = None  
01 = .120 [3.05] Dia. Thru Holes  
02 = 4-40 UNC Threaded Holes  
03 = Board Locks

CONTACT PLATING  
50 $\mu$  Nickel Underplate  
Mating Area Tail  
05 = Au Flash 100 $\mu$  Tin  
20 = 15 $\mu$  Gold 100 $\mu$  Tin  
30 = 30 $\mu$  Gold 100 $\mu$  Tin

SHELL TYPE  
1 = With Latch Locks  
2 = Without Latch Locks

MOUNTING STYLE CONNECTOR  
0 = None  
1 = .120 [3.05] Dia. Thru Holes  
2 = 4-40 UNC Threaded Holes  
3 = 2-56 UNC Threaded Holes  
4 = M2.6 X 0.45