

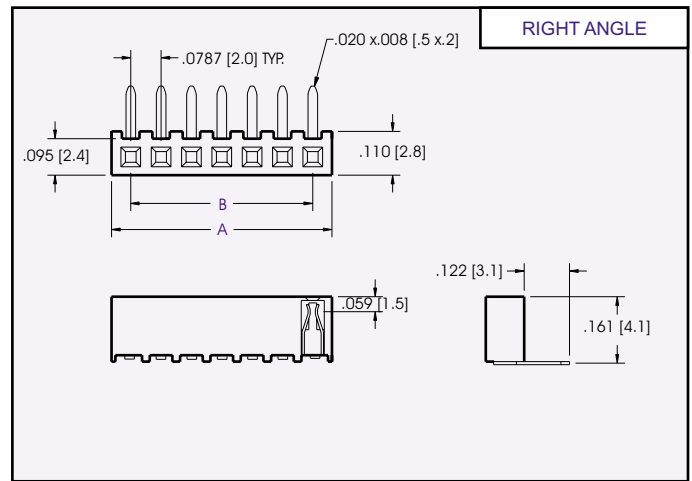
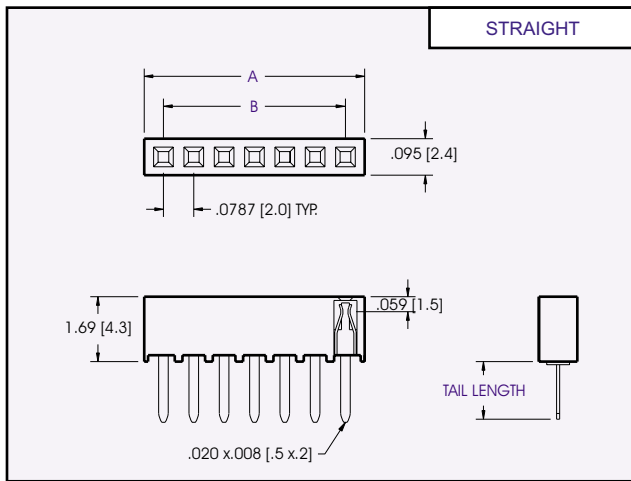
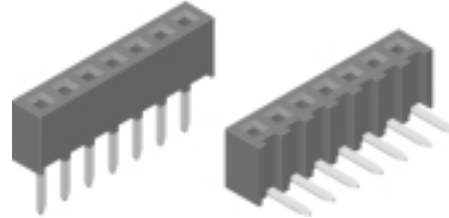


9400S Series Sockets

.079 [2.00] Single Row Socket

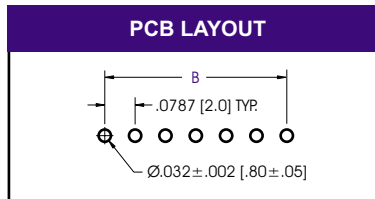
Specifications

Insulator Material: Glass filled polyester, Thermoplastic,
 94V-O Nylon-6T, UL Recognized.
 Contact Material: Phosphor Bronze
 Contact Plating: Gold and/or Tin over .000050" Ni
 (See contact plating options)
 Insulation Resistance: 5000 M ohms min.
 Dielectric Withstand Voltage: 500 VAC
 Current Rating: 1 AMP
 Operating Temperature: -40°C To +105°C
 Contact Resistance: 20 m ohms max.
 Max Processing Temp.: 230°C for 60 seconds
 UL File Numbers: E146967 & E176234



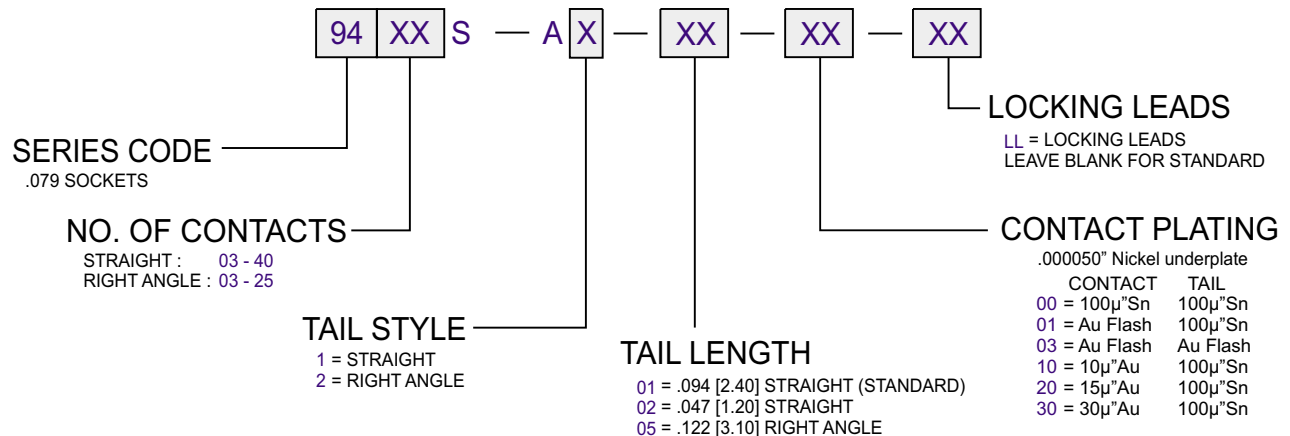
DIMENSIONS ARE IN INCHES & [MM]

$A = .020 + .0787 \times \text{No. of Pos.}$
 $B = .0787 \times (\text{No. Of Cont.} - 1)$



SUGGESTED MATING CONNECTORS
 94XX-AX-XX-XX (PAGE F-22)
 94XX-C1-XX-XX (PAGE F-23)

PART NUMBERING



CONSULT FACTORY FOR CONNECTORS BUILT TO YOUR SPECIFICATION