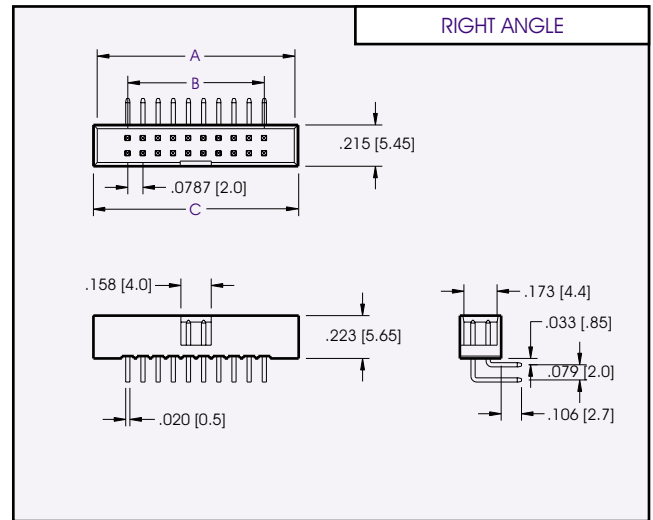
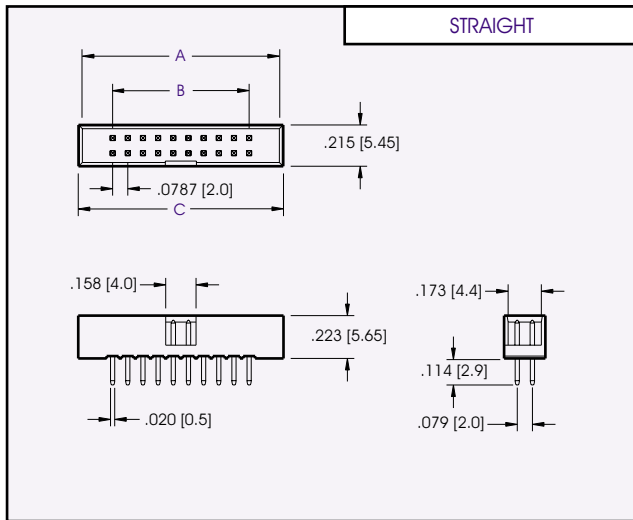
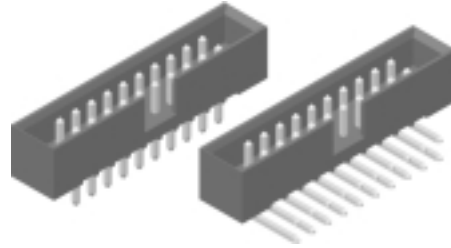




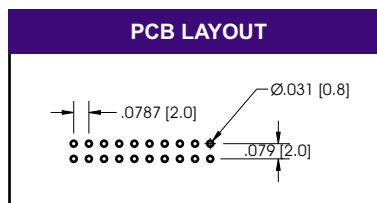
9400 Series Headers .079 [2.00] Box Header

Specifications

Insulator Material: Glass filled polyester, Thermoplastic,
94V-O Nylon-6T, UL Recognized.
Contact Material: Copper Alloy
Contact Plating: Gold over .000050" Ni
(See contact plating options)
Insulation Resistance: 5000 M ohms min.
Dielectric Withstand Voltage: 500 VAC
Current Rating: 1 AMP
Operating Temperature: -40°C To +105°C
Max. Processing Temp: 230°C for 30 seconds
UL File Numbers: E146967 & E176234



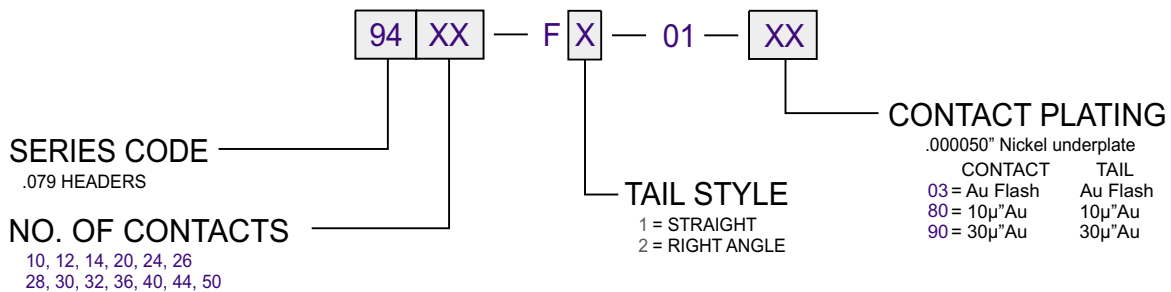
DIMENSIONS ARE IN INCHES & [MM]



A = .236 + .0787 x No. of Pos.
B = .0787 x (No. of Cont./2 - 1)
C = .276 + .0787 x No. of Pos.

SUGGESTED MATING CONNECTOR
94XXS-GX-11-01 (PAGE F-35)

PART NUMBERING



CONSULT FACTORY FOR CUSTOM CONNECTORS BUILT TO YOUR SPECIFICATION