

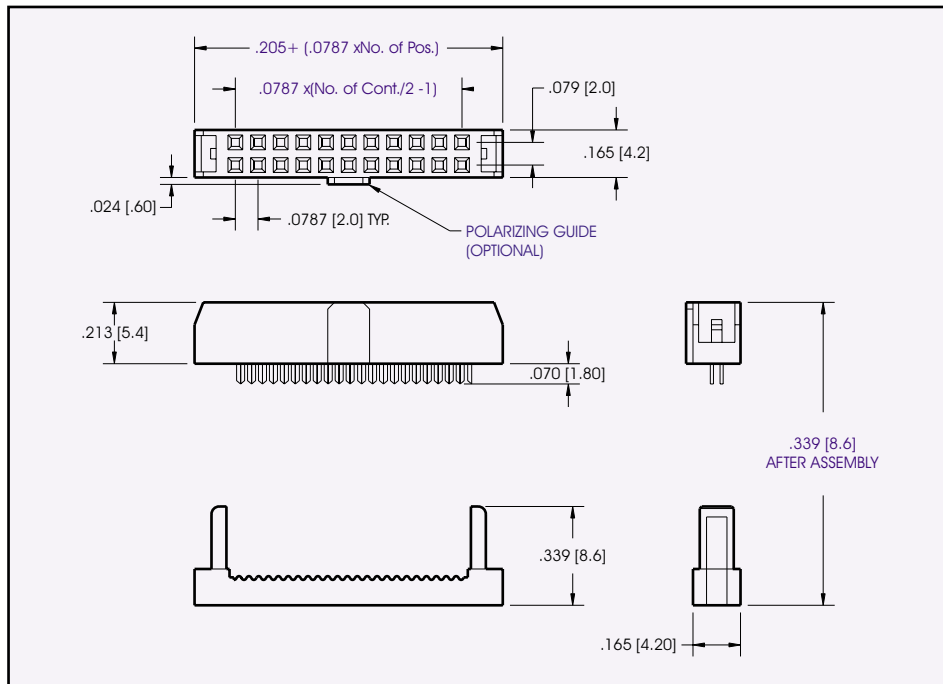


9400S Series Sockets

.079 [2.00] IDC Socket

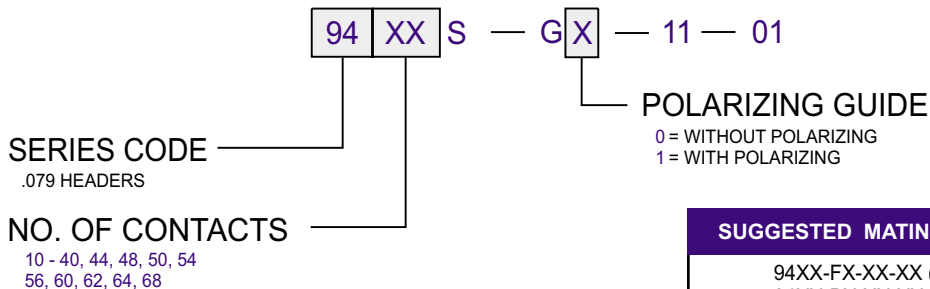
Specifications

Insulator Material: Glass filled polyester, Type PBT,
 94V-O Nylon-6T, UL Recognized.
 Contact Material: Phosphor Bronze
 Contact Plating: .000050" Ni underplate
 Contact Area - Gold Flash
 Termination Area - Tin
 Insulation Resistance: 5000 M ohms min.
 Dielectric Withstand Voltage: 500 VAC
 Current Rating: 1 AMP
 Operating Temperature: -40°C To +105°C
 Contact Resistance: 20 m ohms max.
 UL File Numbers: E146967 & E176234



DIMENSIONS ARE IN INCHES & [MM]

PART NUMBERING



SUGGESTED MATING CONNECTORS
94XX-FX-XX-XX (PAGE F-25)
94XX-BX-XX-XX (PAGE F-22)
94XX-DX-XX-XX (PAGE F-23)

CONSULT FACTORY FOR CONNECTORS BUILT TO YOUR SPECIFICATION