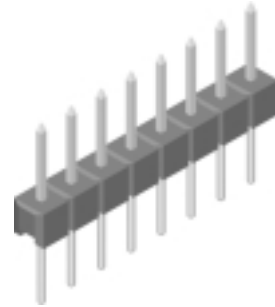




9600 Series Headers .050 [1.27] Single Row

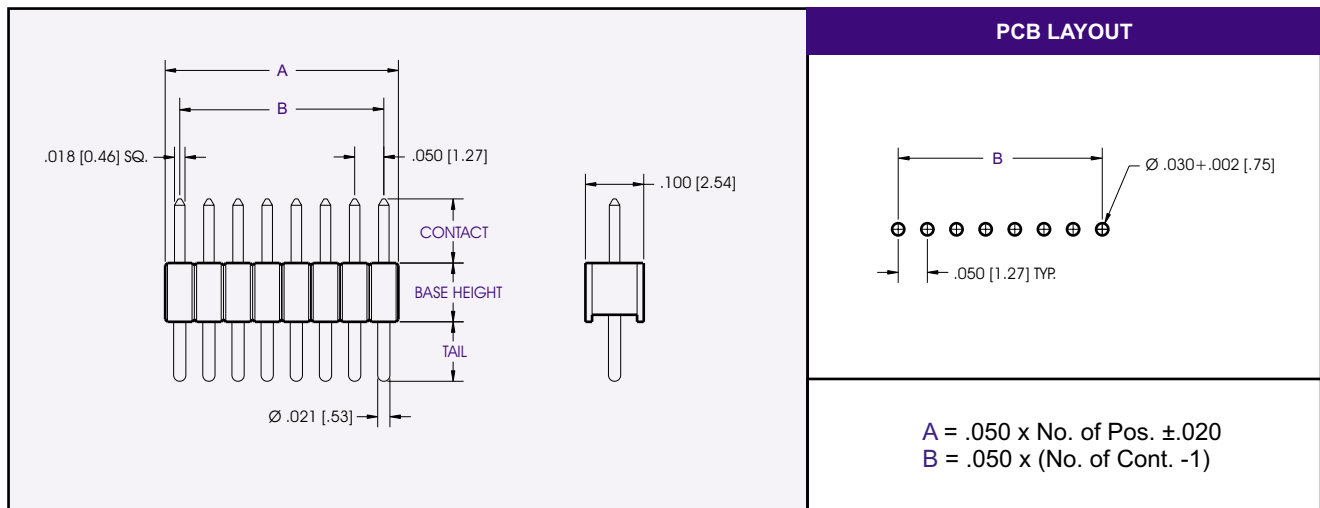
Specifications

Insulator Material: Glass filled polyester, Thermoplastic,
94V-O Nylon-6T, UL Recognized.
Contact Material: Copper Alloy
Contact Plating: Gold and/or Tin over .000050" Ni
(See contact plating options).
Insulation Resistance: 5000 M ohms min.
Dielectric Withstand Voltage: 500 VAC
Current Rating: 1 AMP
Operating Temperature: -40°C To +105°C
Max. Processing Temp.: 230°C for 60 seconds
UL File Numbers: E146967 & E176234



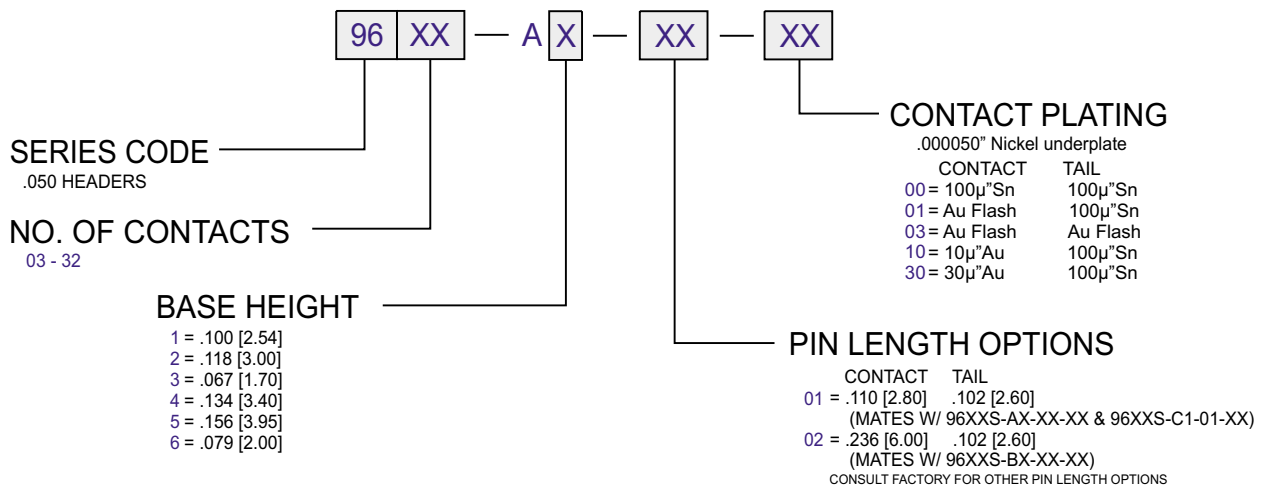
SUGGESTED MATING CONNECTORS

96XXS-A1-XX-XX (PAGE F-16)
96XXS-B1-XX-XX (PAGE F-17)
96XXS-C1-01-XX (PAGE F-18)



DIMENSIONS ARE IN INCHES [MM]

PART NUMBERING



CONSULT FACTORY FOR CONNECTORS BUILT TO YOUR SPECIFICATION