

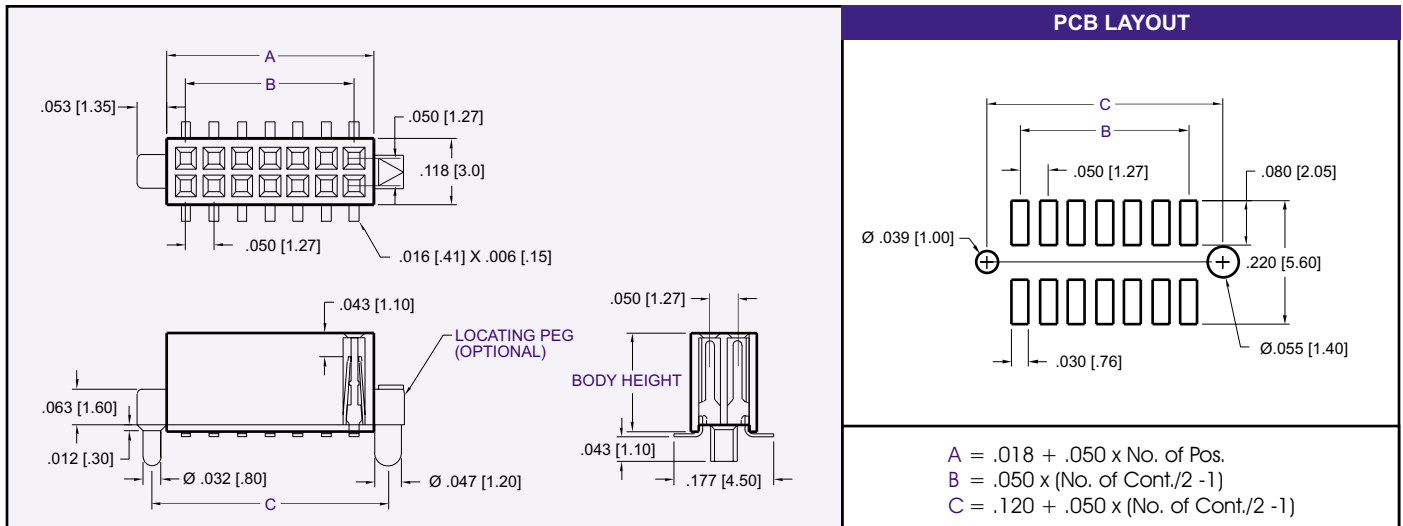
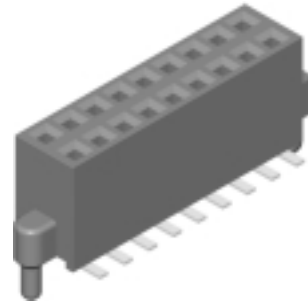


9600S Series Sockets

.050 x .050 SMT Socket

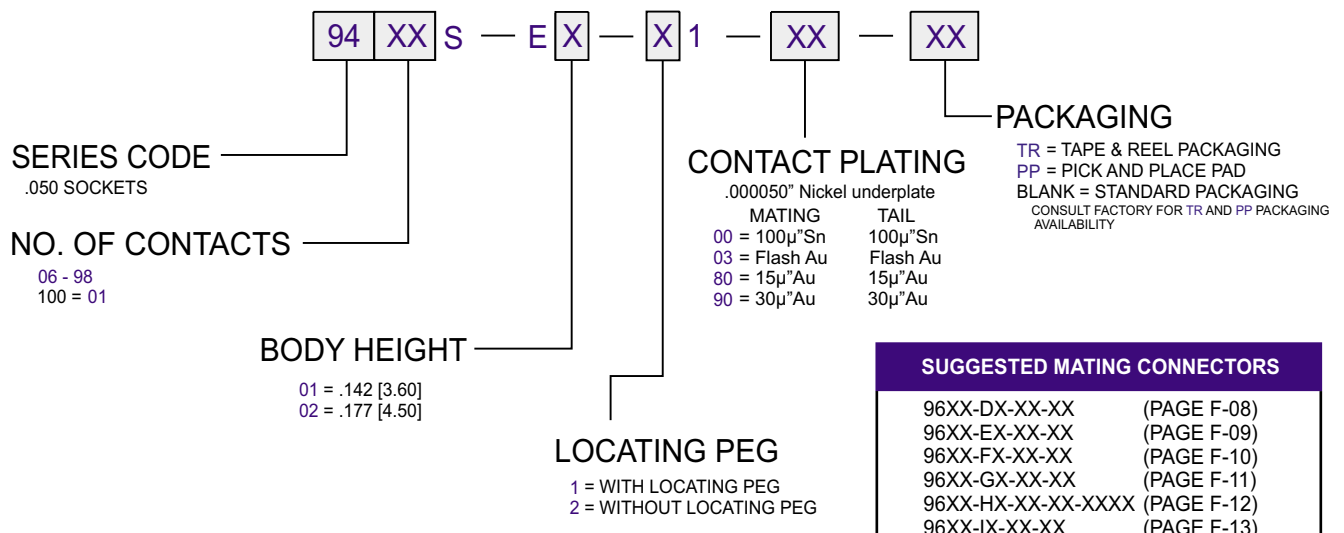
Specifications

Insulator Material: Glass filled polyester, Thermoplastic,
94V-O Nylon-6T, UL Recognized.
Contact Material: Copper Alloy
Contact Plating: Gold or Tin over .000050" Ni
(See contact plating options)
Insulation Resistance: 5000 M ohms min.
Contacts Resistance: 20 m ohms max.
Dielectric Withstand Voltage: 500 VAC
Current Rating: 1 AMP
Operating Temperature: -40°C To +105°C
Max Processing Temp: 230°C for 60 seconds
UL File Numbers: E146967 & E176234



DIMENSIONS ARE IN INCHES & [MM]

PART NUMBERING



CONSULT FACTORY FOR CONNECTORS BUILT TO YOUR SPECIFICATION