

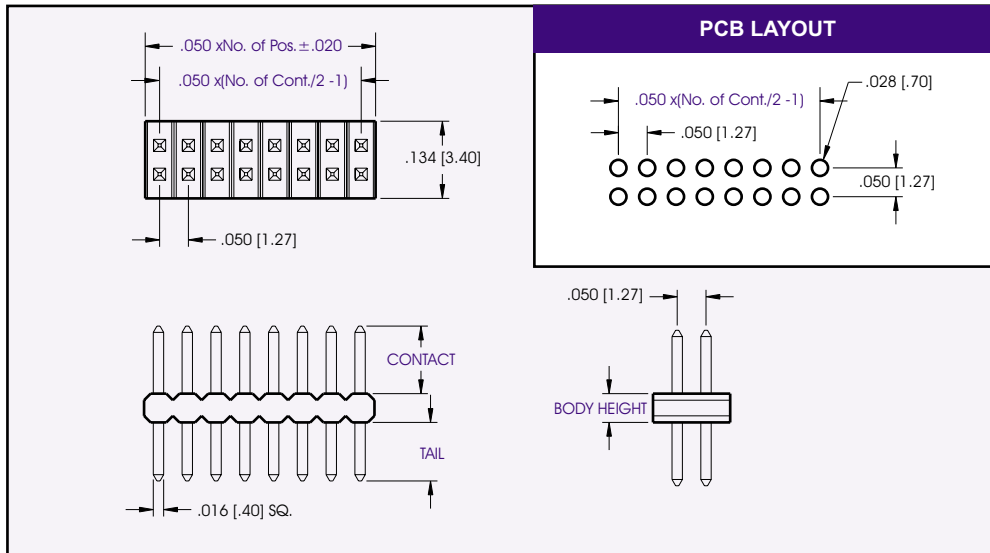
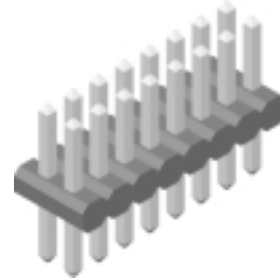


# 9600 Series Headers

## .050 x .050 Low Profile

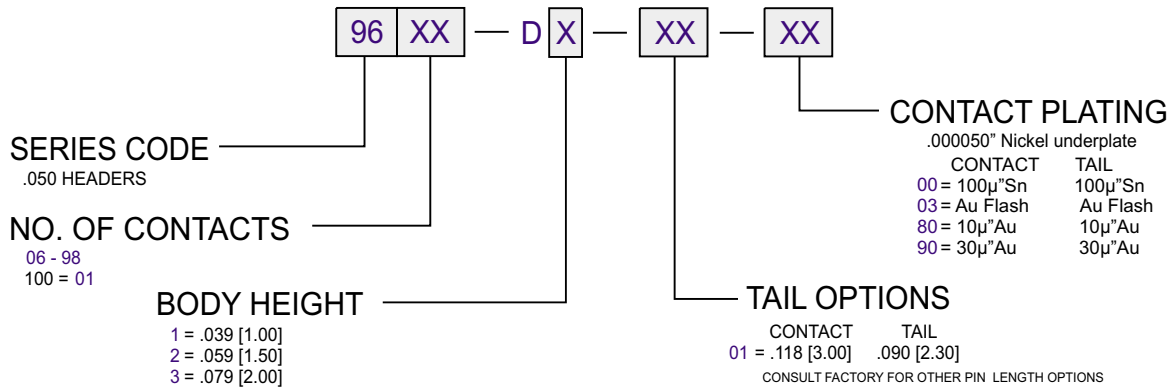
### Specifications

Insulator Material: Glass filled polyester, Thermoplastic,  
 94V-O Nylon-6T, UL Recognized.  
 Contact Material: Copper Alloy  
 Contact Plating: Gold or Tin over .000050" Ni  
 (See contact plating options).  
 Insulation Resistance: 5000 M ohms min.  
 Dielectric Withstand Voltage: 500 VAC  
 Current Rating: 1 AMP  
 Operating Temperature: -40°C To +105°C  
 Max. Processing Temp.: 230°C for 60 seconds  
 UL File Numbers: E146967 & E176234



ALL DIMENSIONS ARE IN INCHES & [MM]

### PART NUMBERING



### SUGGESTED MATING CONNECTORS

96XXS-DX-XX-XX (PAGE F-19)  
 96XXS-EX-XX-XX (PAGE F-20)

CONSULT FACTORY FOR CONNECTORS BUILT TO YOUR SPECIFICATION