

.100 [2.54] SINGLE ROW ELEVATED SOCKET

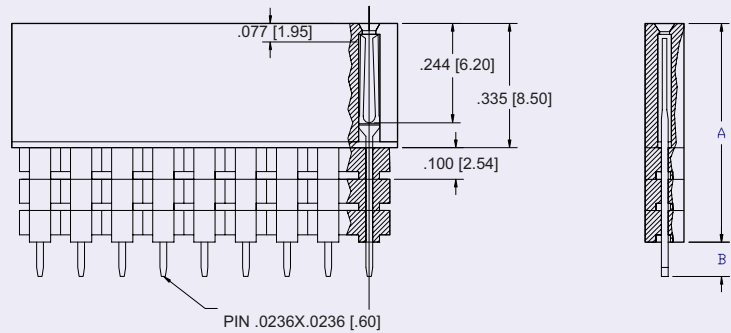
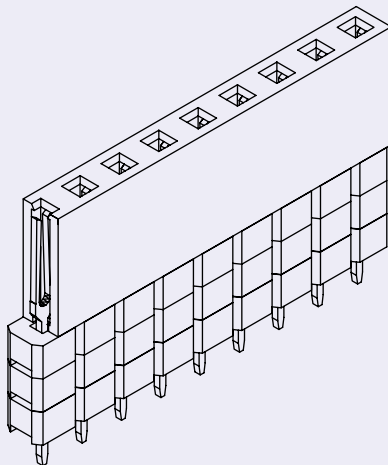
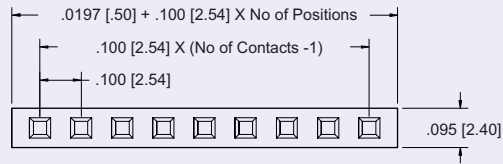


Current Rating: 3 Amps
Insulator Resistance: 5000 Megohms min
Contact Resistance: 20m ohms max
Dielectric Withstanding: AC 500V
Operating Temperature: -40° ~± 105° C
Max Processing Temp: 230° C to 60 seconds
Contact Material: Phosphor Bronze
Insulator Material: Polyester, UL 94V-0, PBT
Finish: See Contact Plating



Recognized under the recognized component Program of Underwriters Laboratories, Inc.

Products specifications are subject to be changed without notice.



Dimensions are in inches [mm]

PART NUMBERING



SERIES CODE

NO. OF CONTACTS

02 to 40

STACKING HEIGHT

A	B
01 = .435 [11.05]	.098 [2.50]
02 = .435 [11.05]	.289 [7.35]
03 = .535 [13.59]	.191 [4.85]
04 = .635 [16.13]	.091 [2.30]
05 = .435 [11.05]	.480 [12.2]
06 = .535 [13.59]	.380 [9.65]
07 = .635 [16.13]	.280 [7.10]
08 = .735 [18.67]	.181 [4.60]

CONTACT PLATING

Lead Free & RoHS Compliant

.000050" Nickel underplate

CONTACT

03 = Gold Flash

80 = 10μ" Gold

85 = 15μ" Gold

90 = 30μ" Gold

CONSULT FACTORY FOR CONNECTORS BUILT TO YOUR DESIGN