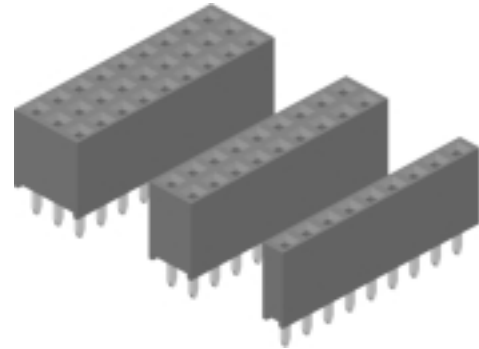




# 9300S Series Sockets .100 [2.54] Strip Sockets

## Specifications

Insulator Material: Glass filled polyester, Type PBT  
 94V-O, UL Recognized.  
 Contact Material: Phosphor Bronze  
 Contact Plating: Gold and/or Tin over .000050" Ni  
 (See contact plating options).  
 Insulation Resistance: 5000 M ohms min.  
 Dielectric Withstand Voltage: 1000 VAC  
 Current Rating: 3 AMP @ 80°C  
 Operating Temperature: -40°C To +105°C  
 Contact Resistance: 20 m ohms Max.  
 UL File Numbers: E146967 & E176234



### SUGGESTED MATING CONNECTORS

#### SINGLE ROW:

93XX-1X-XX-XX (PAGE F-37)  
 93XX-13-XX-XX (PAGE F-39)  
 93XX-14-XX-XX-XXXX (PAGE F-41)

#### DOUBLE ROW:

93XX-2X-XX-XX (PAGE F-37)  
 93XX-24-XX-XX-XXXX (PAGE F-41)  
 93XX-23-XX-XX (PAGE F-40)

#### TRIPLE ROW:

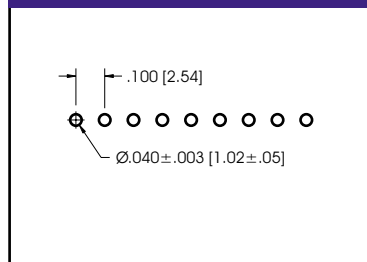
93XX-3X-XX-XX (PAGE F-37)  
 93XX-4X-XX-XX (PAGE F-37)

### TAIL LENGTH OPTIONS

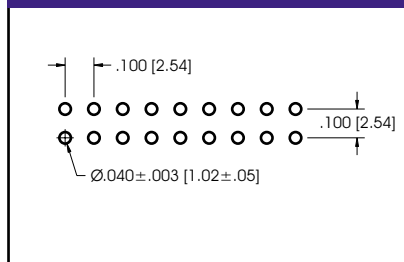
STRAIGHT		RIGHT ANGLE	
P/N CODE	TAIL (A)	P/N CODE	TAIL (A)
01	.125 [3.18]	01	.134 [3.40]
02	.190 [4.83]	02	.200 [5.08]
03	.390 [9.91]	03	.300 [7.62]
04	.580 [14.73]	04	.400 [10.16]

## RECOMMENDED PCB LAYOUTS

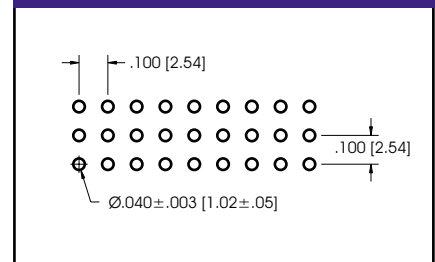
### SINGLE ROW PCB LAYOUT



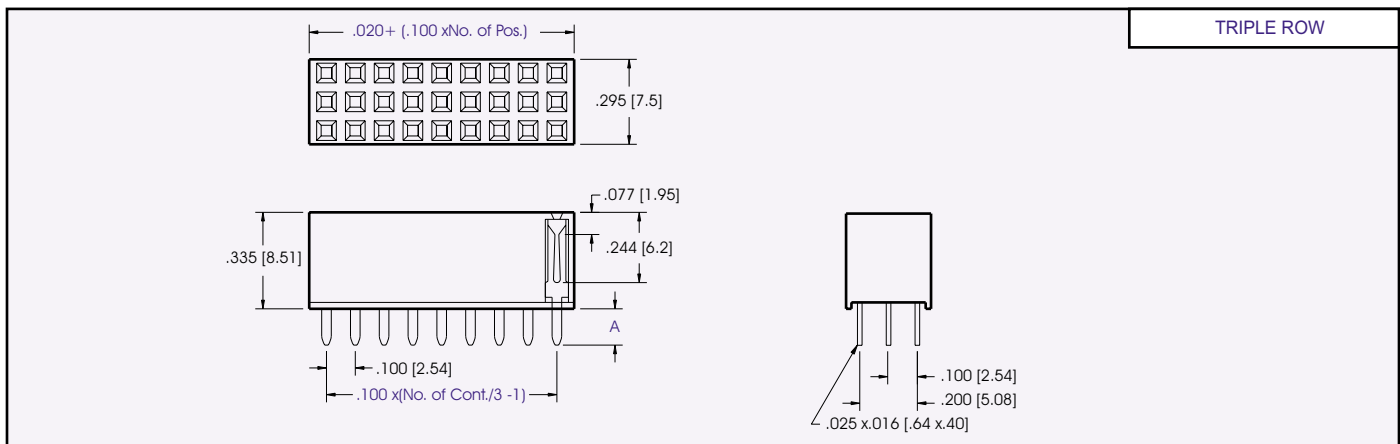
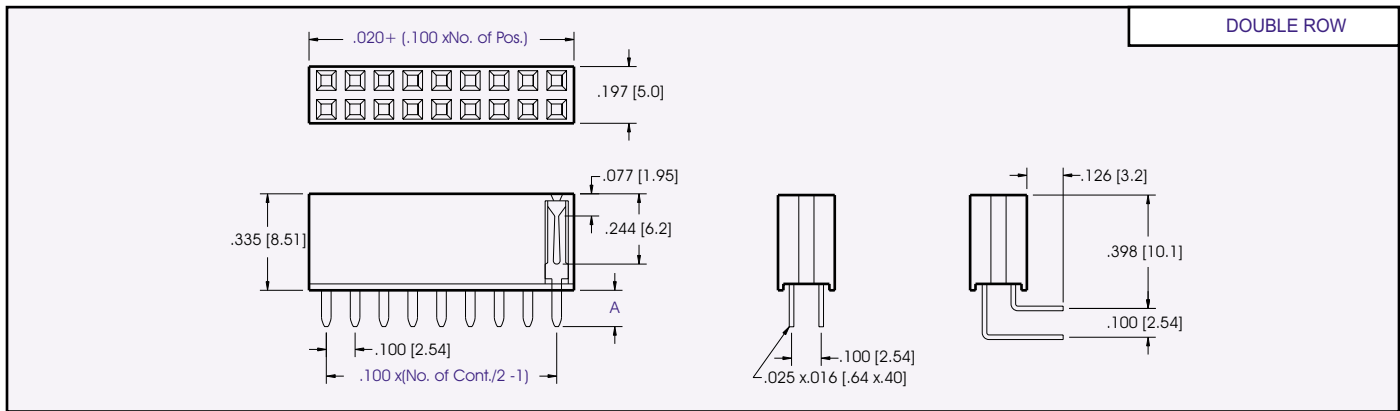
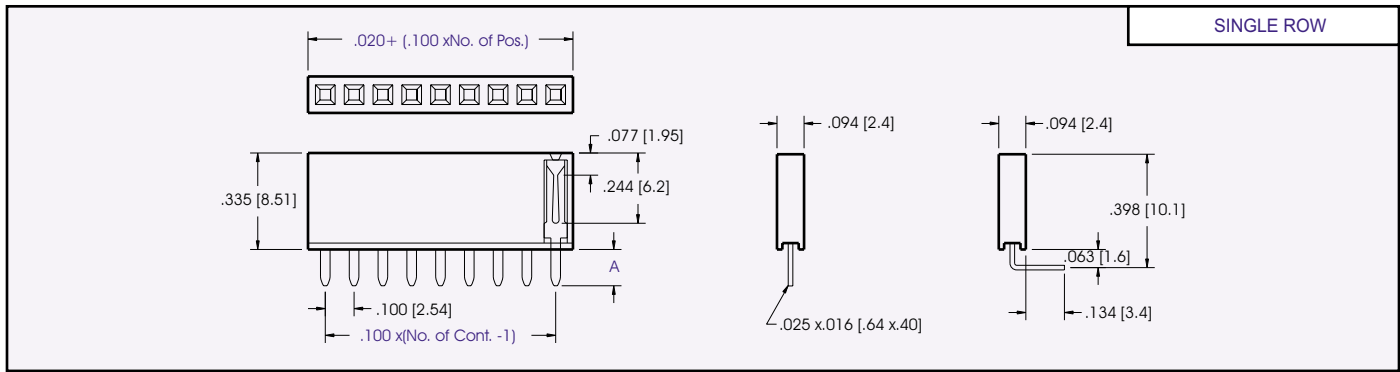
### DOUBLE ROW PCB LAYOUT



### TRIPLE ROW PCB LAYOUT

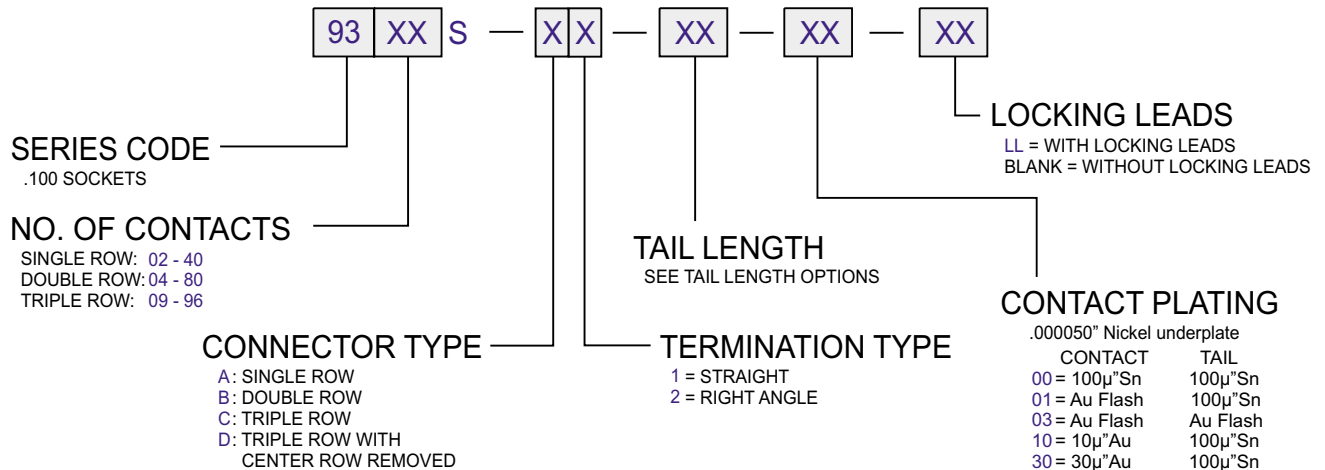


CONSULT FACTORY FOR CONNECTORS BUILT TO YOUR SPECIFICATION



DIMENSIONS ARE IN INCHES & [MM]

## PART NUMBERING



CONSULT FACTORY FOR CONNECTORS BUILT TO YOUR SPECIFICATION