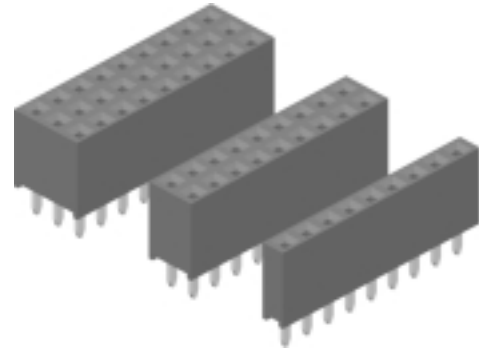




9300S Series Sockets .100 [2.54] Strip Sockets

Specifications

Insulator Material: Glass filled polyester, Type PBT
 94V-O, UL Recognized.
 Contact Material: Phosphor Bronze
 Contact Plating: Gold and/or Tin over .000050" Ni
 (See contact plating options).
 Insulation Resistance: 5000 M ohms min.
 Dielectric Withstand Voltage: 1000 VAC
 Current Rating: 3 AMP @ 80°C
 Operating Temperature: -40°C To +105°C
 Contact Resistance: 20 m ohms Max.
 UL File Numbers: E146967 & E176234



SUGGESTED MATING CONNECTORS

SINGLE ROW:

93XX-1X-XX-XX (PAGE F-37)
 93XX-13-XX-XX (PAGE F-39)
 93XX-14-XX-XX-XXXX (PAGE F-41)

DOUBLE ROW:

93XX-2X-XX-XX (PAGE F-37)
 93XX-24-XX-XX-XXXX (PAGE F-41)
 93XX-23-XX-XX (PAGE F-40)

TRIPLE ROW:

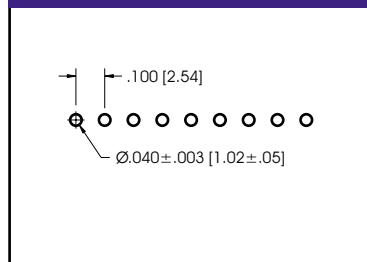
93XX-3X-XX-XX (PAGE F-37)
 93XX-4X-XX-XX (PAGE F-37)

TAIL LENGTH OPTIONS

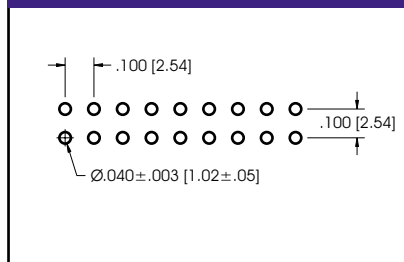
STRAIGHT		RIGHT ANGLE	
P/N CODE	TAIL (A)	P/N CODE	TAIL (A)
01	.125 [3.18]	01	.134 [3.40]
02	.190 [4.83]	02	.200 [5.08]
03	.390 [9.91]	03	.300 [7.62]
04	.580 [14.73]	04	.400 [10.16]

RECOMMENDED PCB LAYOUTS

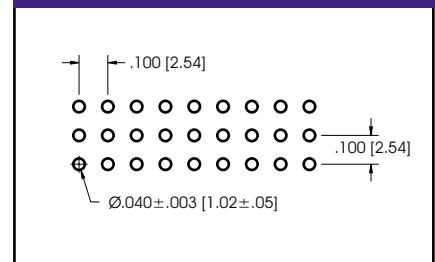
SINGLE ROW PCB LAYOUT



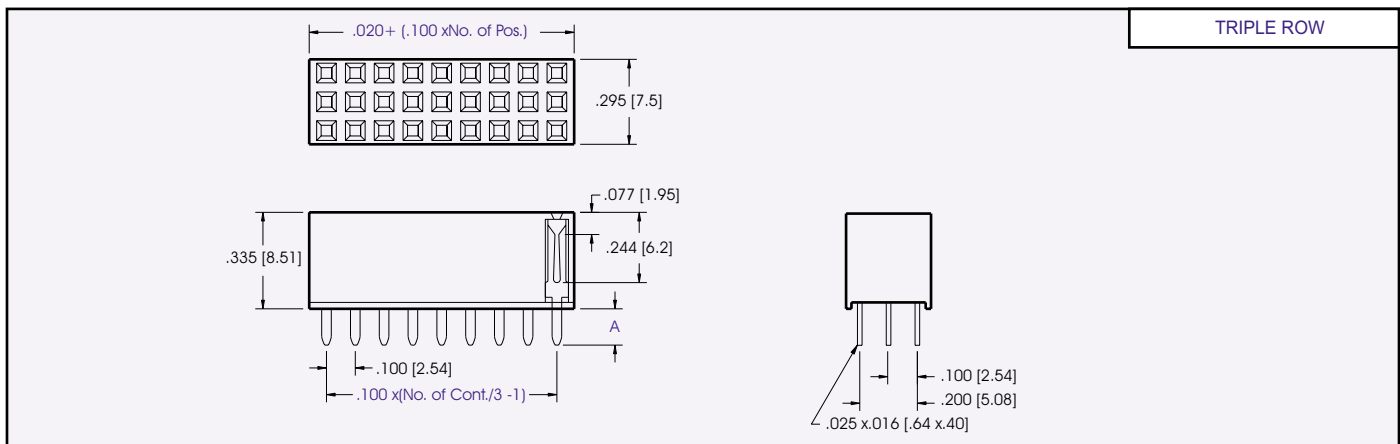
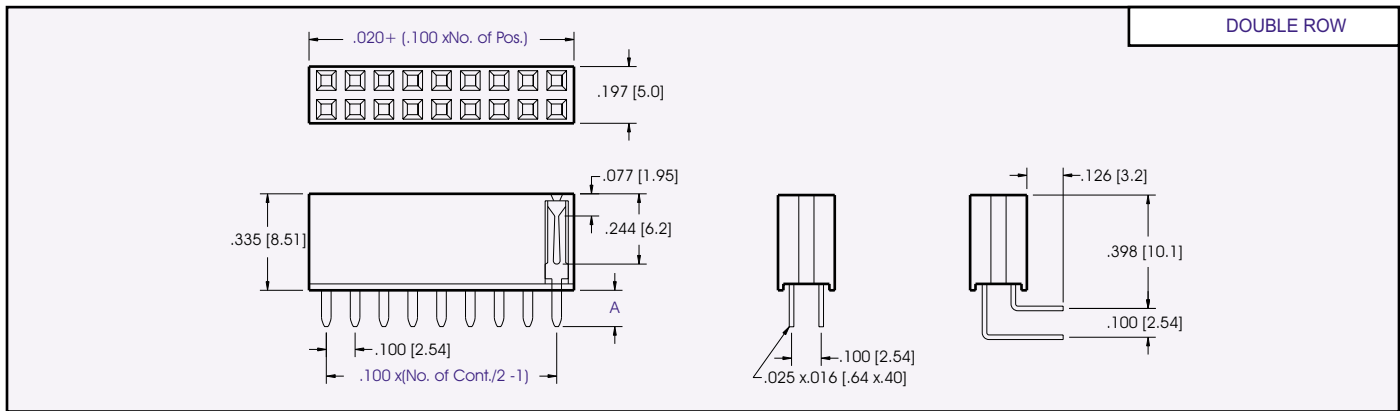
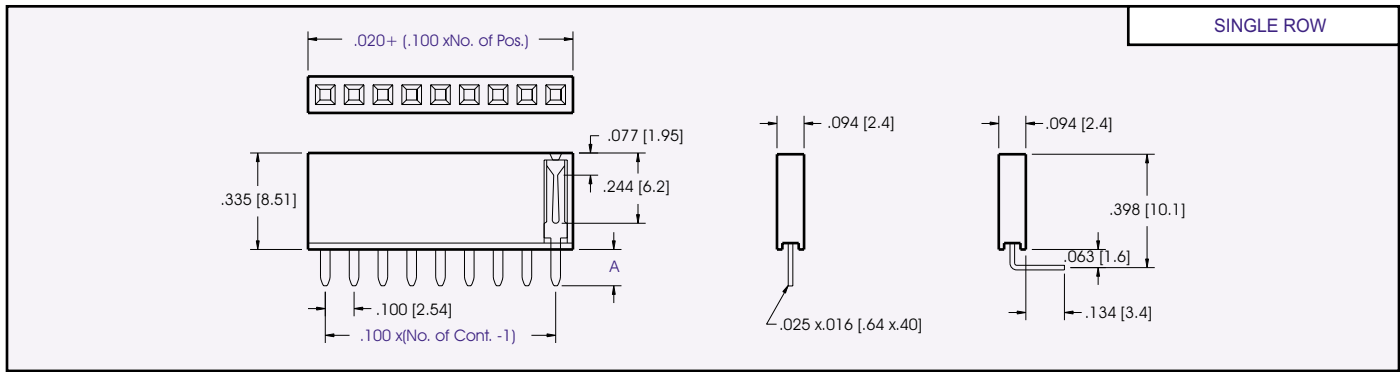
DOUBLE ROW PCB LAYOUT



TRIPLE ROW PCB LAYOUT

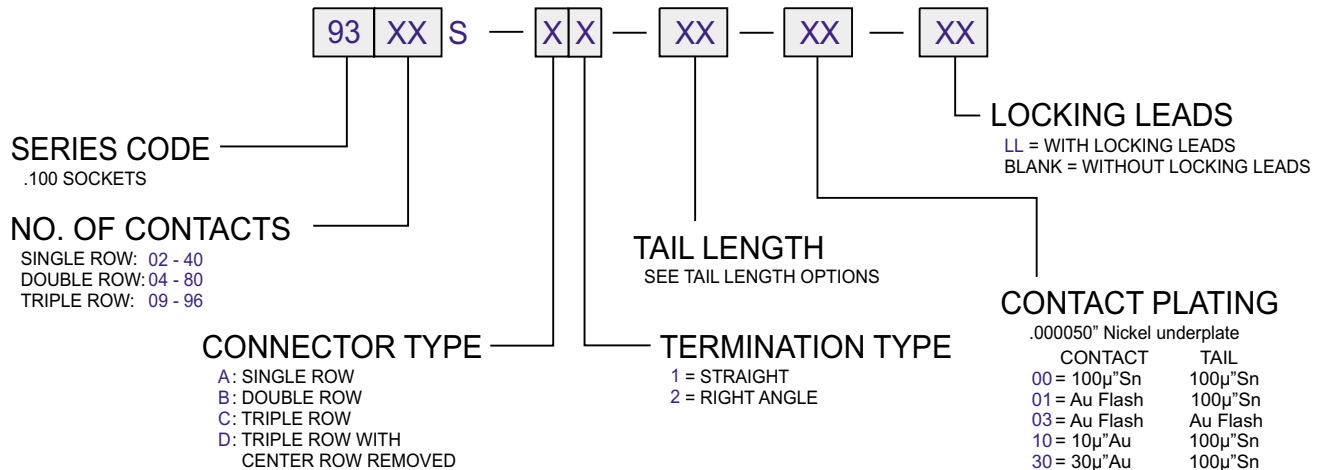


CONSULT FACTORY FOR CONNECTORS BUILT TO YOUR SPECIFICATION



DIMENSIONS ARE IN INCHES & [MM]

PART NUMBERING



CONSULT FACTORY FOR CONNECTORS BUILT TO YOUR SPECIFICATION