

.100 [2.54] 3 ROW ELEVATED SOCKET



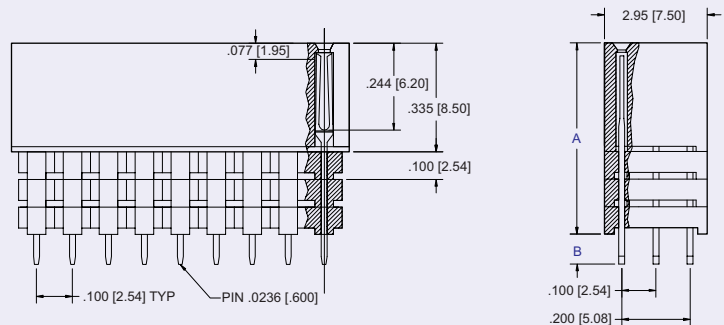
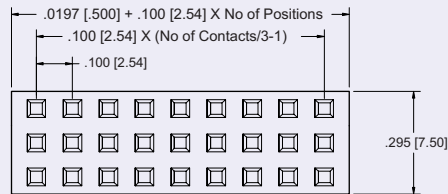
Specifications

Current Rating: 3 Amps
Insulator Resistance: 5000 Megohms min
Contact Resistance: 20m ohms max
Dielectric Withstanding: AC 1000V
Operating Temperature: -40° ~± 105° C
Contact Material: Phosphor Bronze
Insulator Material: Polyester, UL 94V-0, PBT
Finish: See Contact Plating



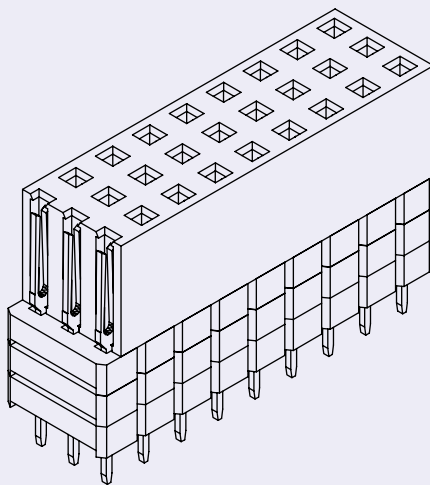
Recognized under the recognized component Program of Underwriters Laboratories, Inc.

Products specifications are subject to be changed without notice.



Recommended P.C.B Layout

Dimensions are in inches [mm]



PART NUMBERING



SERIES CODE

NO. OF CONTACTS

09 to 96

STACKING HEIGHT

A	B
01 = .435 [11.05]	.098 [2.50]
02 = .435 [11.05]	.289 [7.35]
03 = .535 [13.59]	.191 [4.85]
04 = .635 [16.13]	.091 [2.30]
05 = .435 [11.05]	.480 [12.2]
06 = .535 [13.59]	.380 [9.65]
07 = .635 [16.13]	.280 [7.10]
08 = .735 [18.67]	.181 [4.60]

CONTACT PLATING

Lead Free & RoHS Compliant
 .000050" Nickel underplate
CONTACT
 05 = Gold Flash
 10 = 10μ" Gold
 20 = 15μ" Gold
 30 = 30μ" Gold

CONSULT FACTORY FOR CONNECTORS BUILT TO YOUR DESIGN