

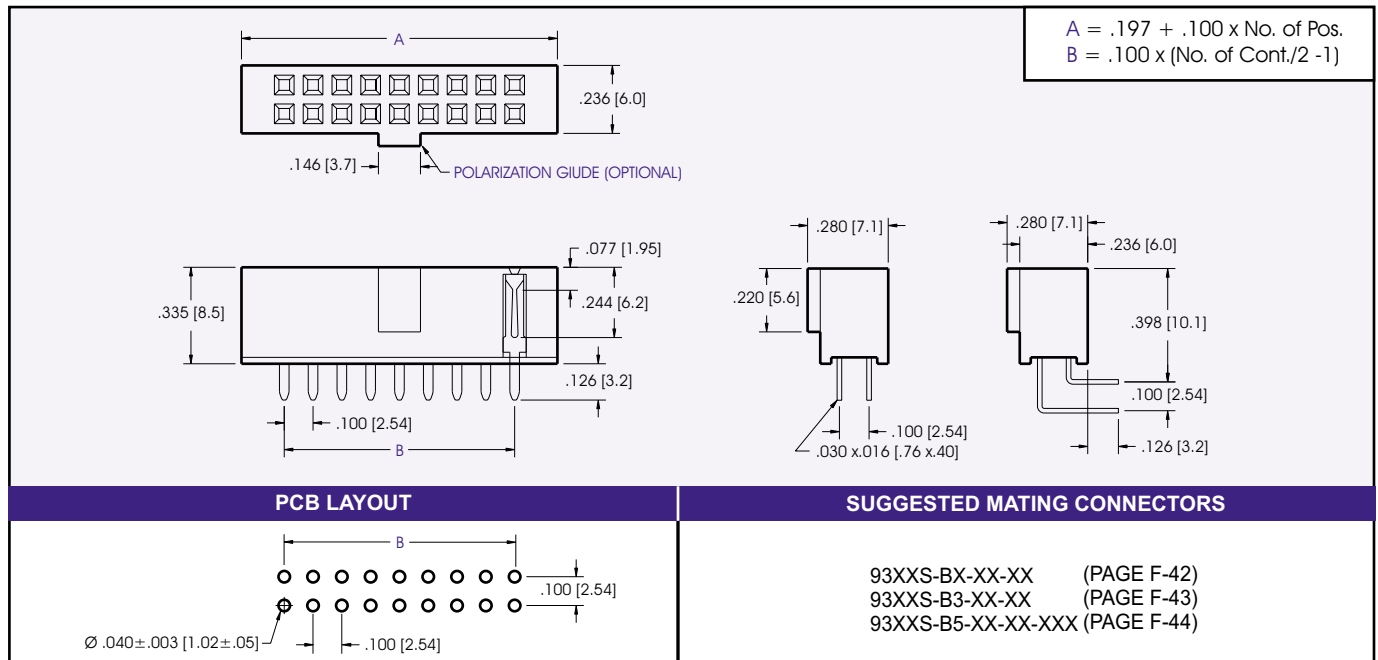
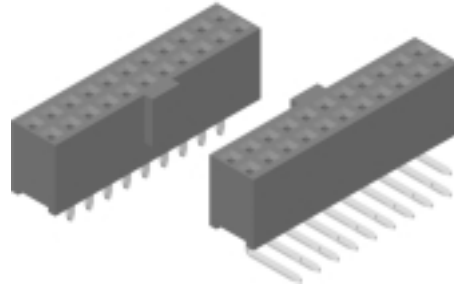


9300S Series Sockets

.100 x .100 Socket with Polarizing

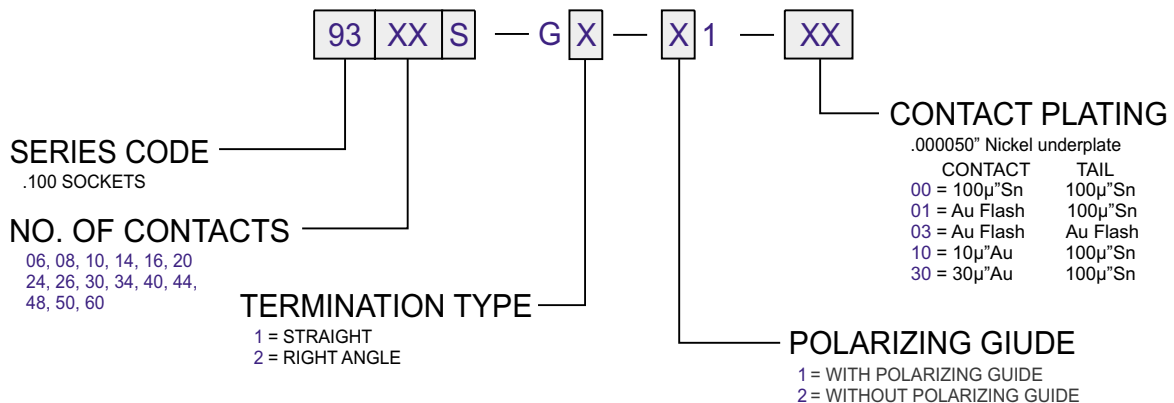
Specifications

Insulator Material: Glass filled polyester, Type PBT
 94V-O, UL Recognized.
 Contact Material: Phosphor Bronze
 Contact Plating: Gold and/or Tin over .000050" Ni
 (See contact plating options)
 Insulation Resistance: 5000 M ohms min.
 Contact Resistance: 20 m ohms max.
 Dielectric Withstand Voltage: 1000 VAC
 Current Rating: 3 AMPS
 Operating Temperature: -40°C To +105°C
 UL File Numbers: E146967 & E176234



DIMENSIONS ARE IN INCHES & [MM]

PART NUMBERING



CONSULT FACTORY FOR CUSTOM CONNECTORS BUILT TO YOUR SPECIFICATION