



91560 Series Compliant Pin .045 SQ.

Specifications

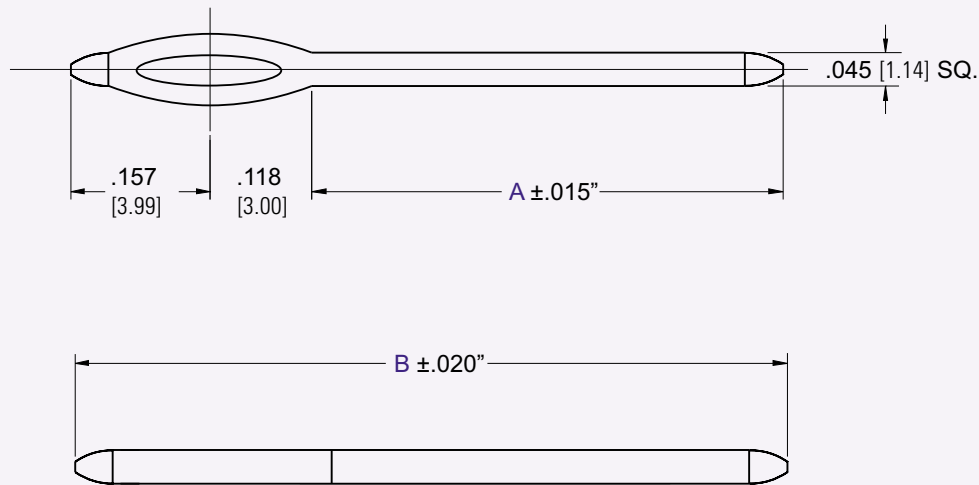
Contact Material: Phosphor Bronze Alloy CA510
 Contact Plating: All over Tin plate .000100/
 .000200" thick over Nickel
 (See Contact Plating Options).
 Current Rating: 5 amps at 30°C
 Dielectric Withstand Voltage:
 1800 VAC
 Insertion Force: 40 pounds max. Per contact.
 Withdrawal Force: 10 pounds min. Per contact.
 Hole Size Requirements:
 Drilled Hole Diameter: .0773 +.001/ -.001.
 Plating: .001 to .003 copper and .0001 to
 .0008 solder.
 Finished Hole Diameter: .
 .072 +.003/-.003.
 Recommended Board Thickness:
 .093+
 UL File Numbers: E146967 & E176234

Features

- Available in gold plate
- Available in loose piece, or on .156" carrier strip.

**For drawings, technical data or samples,
 contact E.C.S. at 714/895-6351**

Note: Press in tool required. Consult
 factory for press in tooling.



DIMENSIONS ARE IN INCHES & [MM]

PART NUMBERING

