

Specifications

Insulator Material: Glass filled polyester, type PBT,
 94 V-O, UL Rated.
 Contact Material: Phosphor Bronze Alloy
 Contact Plating: Gold and/or Tin over .000050" Nickel,
 (See Contact Plating Options).
 Current Rating: 5 amp at 30°C
 Contact Resistance: Contact to Daughter Card:
 10 m Ω
 Insulation Resistance: 5000 M Ω
 Dielectric Withstand Voltage: 1800 V AC
 Daughter Board Insertion Force:
 16 oz max. per contact pair
 when tested with a .071" thick gage.
 Daughter Board Withdrawal Force:
 1 oz min. per contact pair
 when tested with a .054" thick gage.



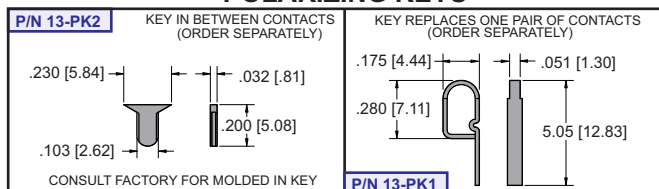
Recognized under the recognized component
 Program of Underwriters Laboratories, Inc.
 File Numbers: E176234

For drawings, technical data or samples,
 contact E.C.S. at (714) 750-9410

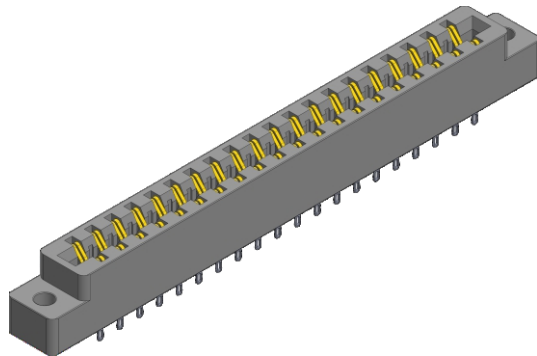
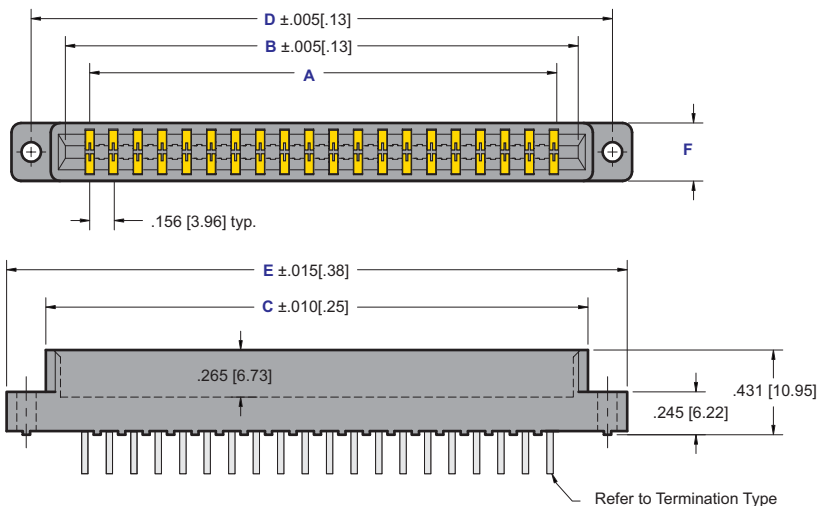
CONTACTS	A	B	C	D	E	F
2/4	.156 [3.96]	.476 [12.09]	.596 [15.14]			
3/6	.312 [7.92]	.632 [16.05]	.772 [19.10]	1.085 [27.56]	1.427 [36.25]	
6/12	.780 [19.81]	1.100 [27.94]	1.220 [30.99]	1.533 [38.94]	1.875 [47.63]	
8/16	1.092 [27.74]	1.412 [35.86]	1.532 [38.91]	1.845 [46.86]	2.187 [55.55]	
10/20	1.404 [35.66]	1.724 [43.79]	1.844 [46.84]	2.157 [54.79]	2.499 [63.47]	
11/22	1.560 [39.62]	1.880 [47.75]	2.000 [50.80]	2.313 [58.75]	2.655 [67.44]	
12/24	1.716 [43.59]	2.036 [51.71]	2.156 [54.76]	2.469 [62.71]	2.811 [71.40]	.325 [8.26]
15/30	2.184 [55.47]	2.504 [63.60]	2.624 [66.65]	2.937 [74.60]	3.279 [83.29]	
18/36	2.652 [67.36]	2.972 [75.49]	3.092 [78.54]	3.405 [86.49]	3.747 [95.17]	
22/44	3.276 [83.21]	3.596 [91.34]	3.716 [94.39]	4.029 [102.34]	4.371 [111.02]	
24/48	3.588 [91.14]	3.908 [99.26]	4.028 [102.31]	4.341 [110.26]	4.683 [118.95]	
25/50	3.744 [95.10]	4.064 [103.23]	4.184 [106.27]	4.497 [114.22]	4.839 [122.91]	
28/56	4.212 [106.98]	4.532 [115.11]	4.652 [118.16]	4.965 [126.11]	5.307 [134.80]	.438 [11.13]
36/72	5.460 [138.68]	5.780 [146.81]	5.900 [149.86]	6.213 [157.81]	6.555 [166.50]	.438 [11.13]
43/86	6.552 [166.42]	6.872 [174.55]	6.992 [177.60]	7.305 [185.55]	7.647 [194.23]	.500 [12.70]
44/88	6.708 [170.38]	7.028 [178.51]	7.148 [181.56]	7.461 [189.51]	7.803 [198.20]	.500 [12.70]

Dimensions are in inch [mm]

POLARIZING KEYS

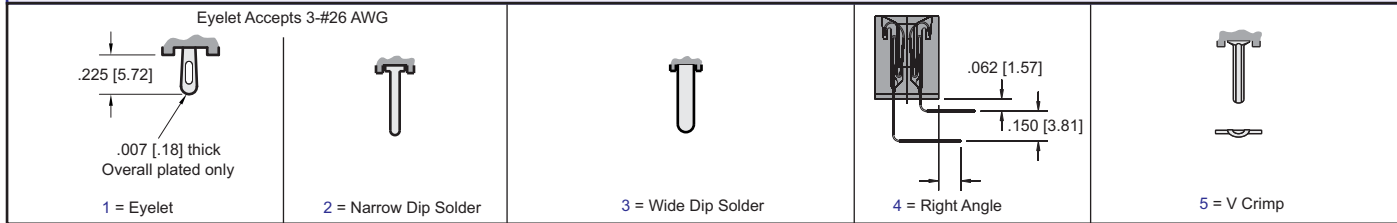


.156[3.96] Contact Centers, Low Profile

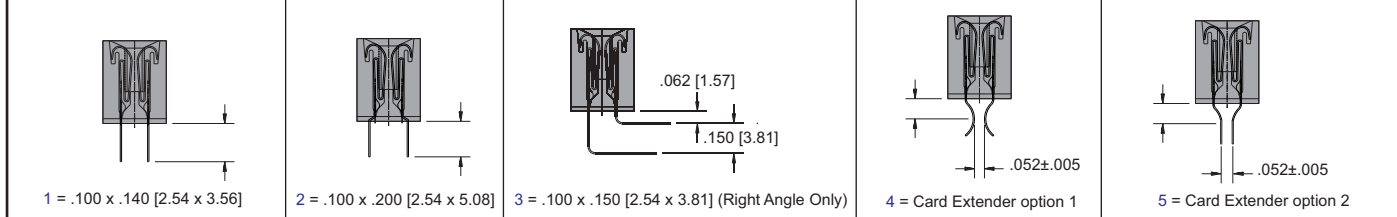


Dimensions are in inch [mm]

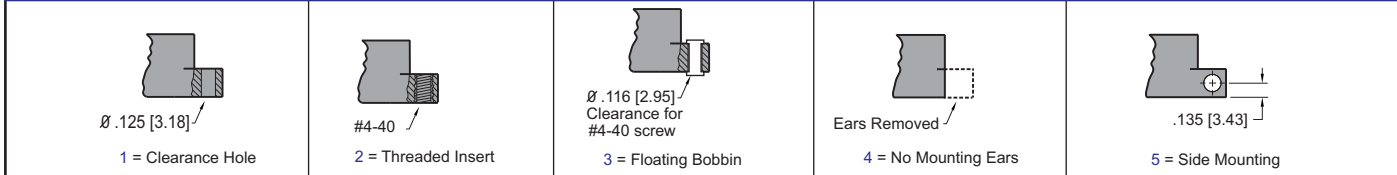
TERMINATION TYPE



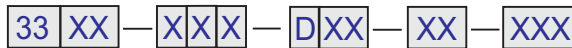
CONTACT CENTERS



MOUNTING STYLES



PART NUMBERING



SERIES CODE

.156" Center, Low Profile

NO. CONTACT PAIRS

01 - 43

TERMINATION TYPES

- 1 = Eyelet
- 2 = Narrow Dip Solder
- 3 = Wide Dip Solder
- 4 = Right Angle
- 5 = V Crimp

CONTACT CENTERS

- 1 = .156 X .140 [3.96 X 3.56]
- 2 = .156 X .200 [3.96 X 5.08]
- 3 = .156 X .150 [3.96 X 3.81] (right angle only)
- 4 = Card Extender option 1
- 5 = Card Extender option 2

CUSTOM VARIATION

Consult Factory

MATERIALS

- Insulator / Contact / Color
- 01 = PBT / Phosphor Bronze / Blue
 - 02 = PBT / Beryllium Copper / Blue
 - 03 = PPS / Phosphor Bronze / brown
 - 04 = PPS / Beryllium Copper / brown
 - 05 = PBT / Pfinodal / blue
 - 06 = PPS / Pfinodal / brown

PLATING

- 50µ" Nickel Underplate
- | | |
|----------------|-------------|
| CONTACT | TAIL |
| 10 = 10µ" Au | 100µ" SnPb |
| 20 = 15µ" Au | 100µ" SnPb |
| 30 = 30µ" Au | 100µ" SnPb |
| 40 = 10µ" Au | 5µ" AuPb |
| 50 = 15µ" Au | 5µ" AuPb |
| 60 = 30µ" Au | 5µ" AuPb |

MOUNTING STYLES

- 1 = Ø.120 Clearance Hole
- 2 = #4-40 Threaded Insert
- 3 = Floating Bobbin
- 4 = No Mounting Ear
- 5 = Side Mounting